

# FC

for three phase alternating current, 4 pole

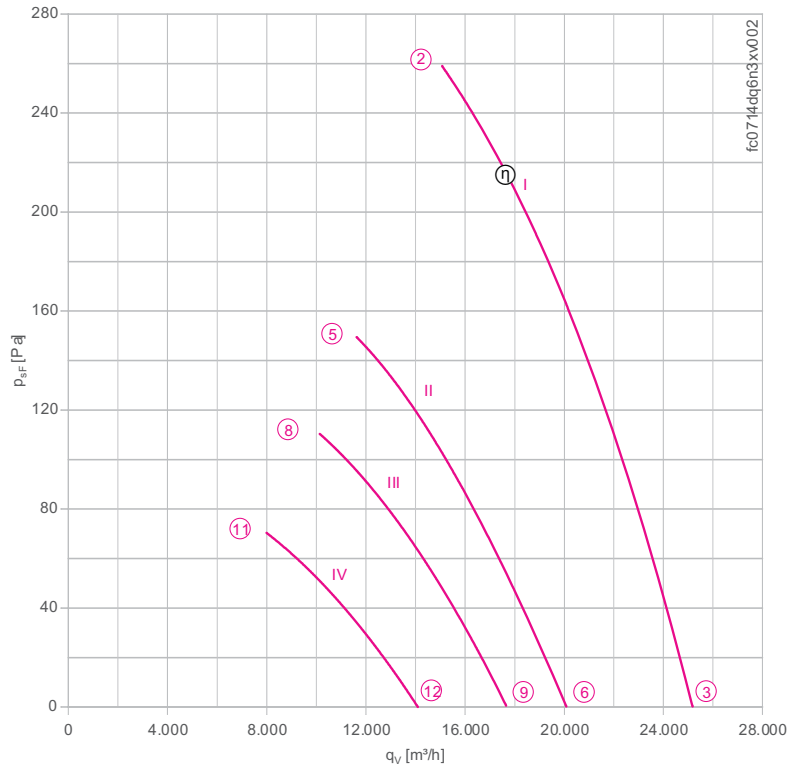
FC071-4D



## Description

Motor technology: AC  
 Rated voltage  $U_N$ : 3~ 230/400 V ( $\Delta/Y$ )  $\pm 10$  %\*  
 Rated frequency  $f_N$ : 50 Hz\*  
 Input power  $P_i$ : 2.90 kW\*  
 Rated current  $I_N$ : 9.20/5.30 A\*  
 Rated speed  $n_N$ : 1290 min<sup>-1</sup>\*  
 Starting current  $I_s$ : 34.00 / 20.00 A  
 Current increase  $\Delta I$ : 0 %  
 Thermal class: THCL155\*  
 Min. permitted ambient temperature  $t_{R(min)}$ : -40 °C  
 Max. permitted ambient temperature  $t_{R(max)}$ : 65 °C  
 Electrical connection: Terminal box  
 Number of blades: 7  
 Protection class: IP54  
 Motor protection: thermal contact  
 Blades: Aluminium, 1 coat paint, jet black  
 Rotor: Aluminium, 1 coat paint, jet black  
 Conformity: ErP 2015, CE  
**ErP-data**  
 Efficiency  $\eta_{statA}$ : 36.5 %  
 Efficiency:  $N_{actual} = 40.1 / N_{target} = 40$ \*\*  
 \* Rated data  
 \*\*ErP 2015

## Characteristic curve



Measured in full bell mouth without guard grille in installation type A according to ISO 5801.

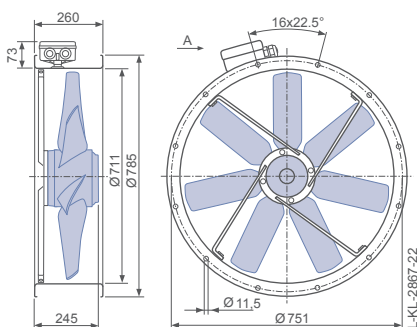
Connection diagram

Page 192  
1360-106XB

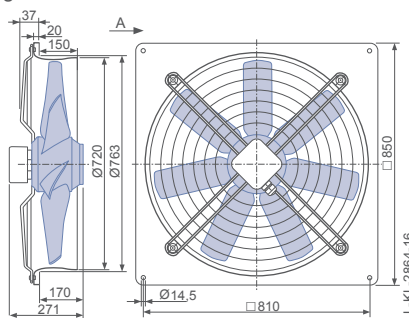
## Dimensions mm

### Airflow direction A

Design F - flange ring with two flanges, without guard grille



Design Q - square full bell mouth, guard grille suction side


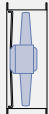



### Performance data

Type	Characteristic curve	Voltage	Operating point	Current	Input power	Speed	Suction side sound power level $L_{WAS}$ dB(A)
		U V		I A	$P_1$ W	n min <sup>-1</sup>	
FC071-4D_6N.A7	I	400*	②	5.30*	2900*	1290*	91
		400	③	4.60	2400	1340	90
	II	230	⑤	5.30	1800	990	84
		230	⑥	4.80	1650	1070	84
	III	180	⑧	5.00	1400	860	81
		180	⑨	4.60	1300	940	81
	IV	140	⑪	4.40	910	680	75
		140	⑫	4.20	870	750	75

\*rated data

### Fan ordering information

Airflow direction A 		
Design	F (without guard grille)	Q (guard grille suction side)
		
<b>Type</b>	<b>FC071-4DF.6N.A7</b>	<b>FC071-4DQ.6N.A7</b>
<b>Article no.</b>	<b>135061</b>	<b>135060</b>
<b>Weight kg</b>	39.80	38.50

### Control technology

Frequency inverter Fcontrol 3~	Motor protection units 3~	Electronic voltage controllers 3~
		