



Movement by Perfection



The Royal League in **ventilation**, control and drive technology



Product documentation

Type  
FN025-2EF.WA.A7

Article number  
168233

## Product documentation

Type  
FN025-2EF.WA.A7

Article number  
168233



### Contents

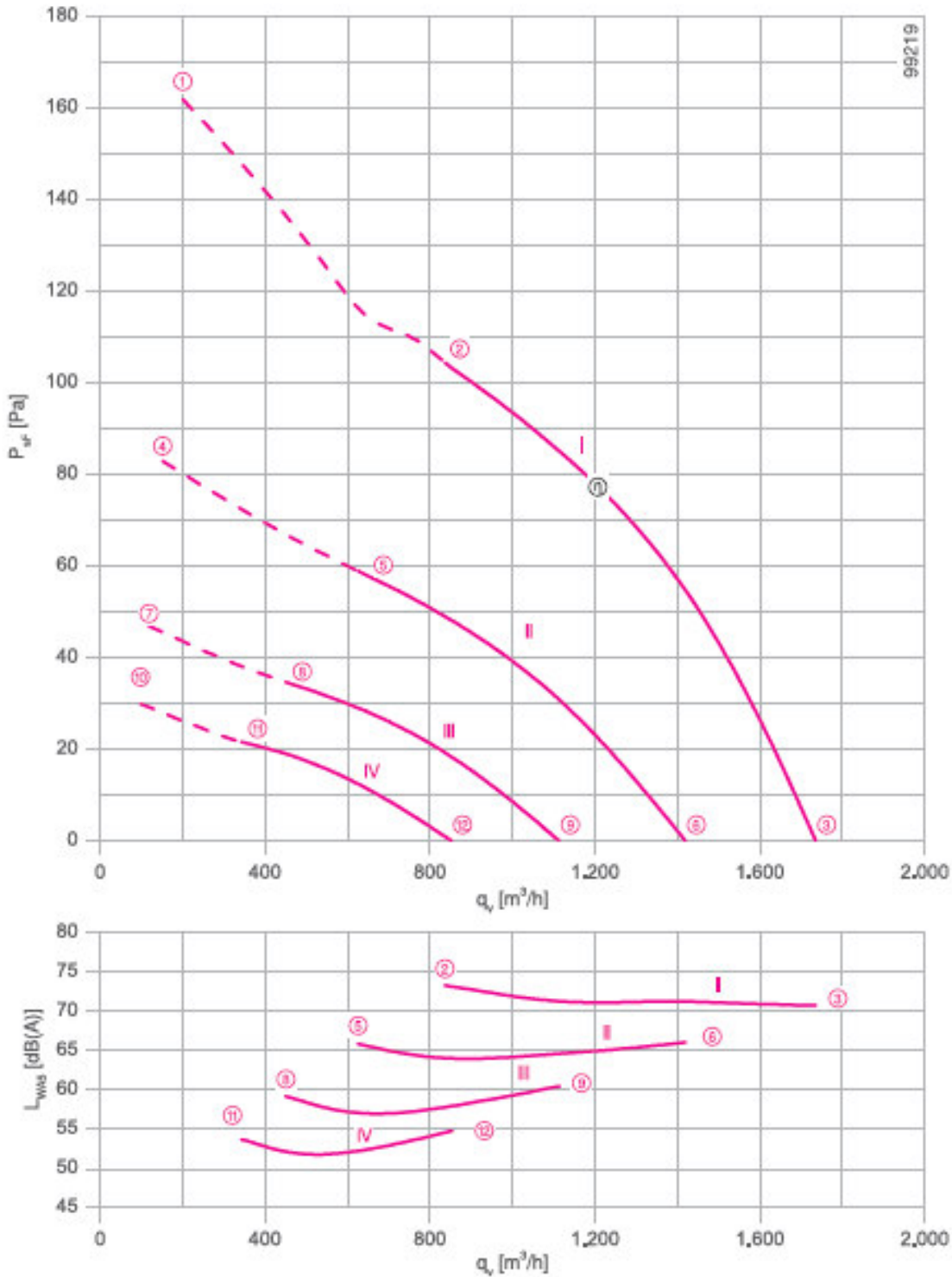
1.	Product specification	3
2.	Characteristic curve	4
3.	Drawing	5
4.	Connection diagram	6
5.	EU-Declaration of conformity	7

### 1. Product specification

#### Technical data

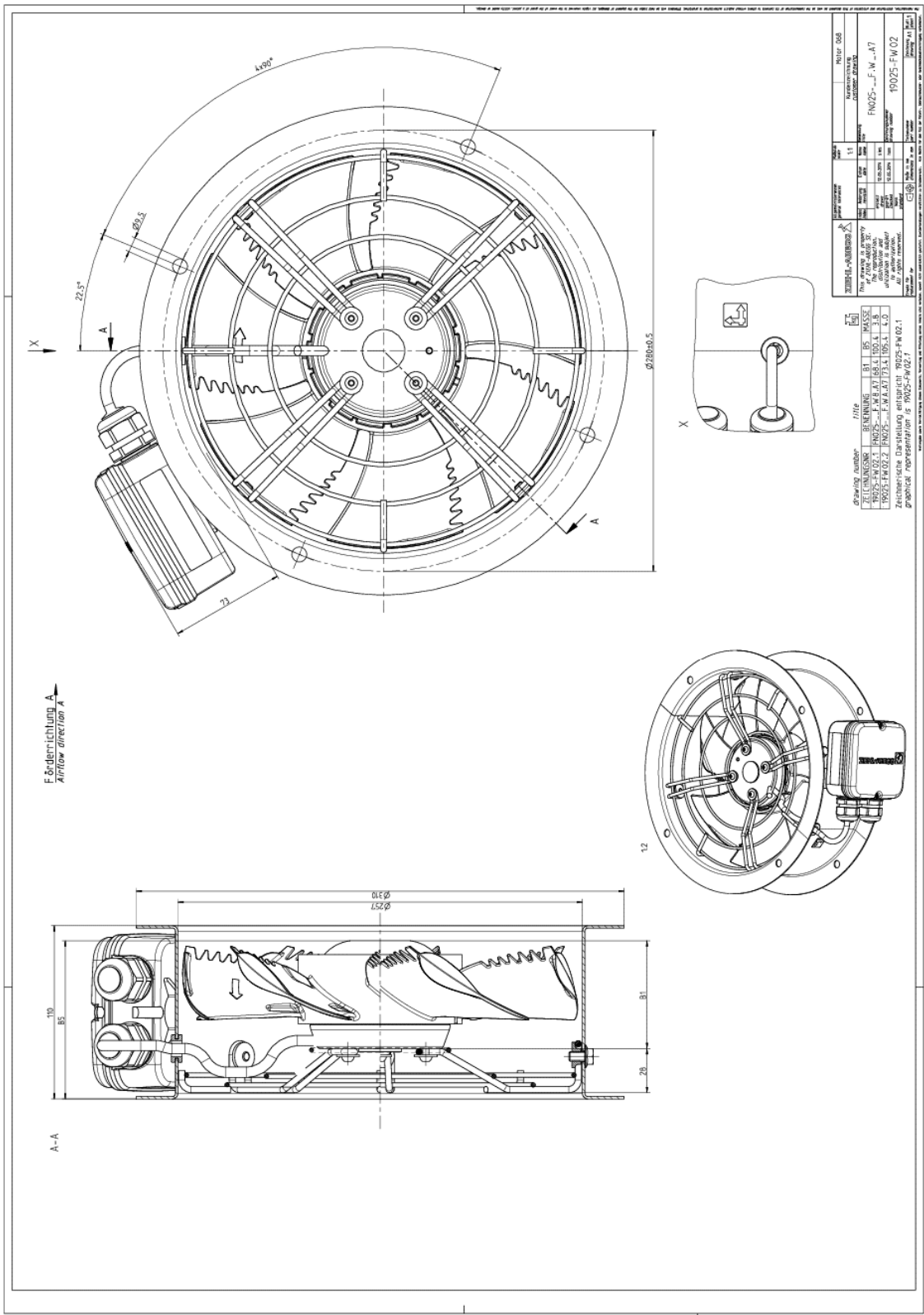
<b>Article number</b>	168233
<b>Type</b>	FN025-2EF.WA.A7
<b>Designation</b>	Axial fan with sickle blades
<b>Rated values</b>	1~230V 50Hz P <sub>1</sub> 0.12kW 0.54A ΔI=0% 2160/min 3.5uF/400V 65°C 1~230V 60Hz P <sub>1</sub> 0.15kW 0.65A ΔI=0% 2090/min 3,5uF/400V 60°C
<b>Electrical connection</b>	Supply cable variable K51 6x 0,5 mm <sup>2</sup> , 35 cm
<b>Min. operating temperature °C</b>	-25
<b>Mounting type terminal box</b>	Mounted on fan housing
<b>Cable quality</b>	SIHF-K
<b>Type of protection</b>	---
<b>Thermal class</b>	THCL155
<b>Rating plate</b>	1x fixed
<b>Fitting position</b>	H/Vu/Vo
<b>Motor protection</b>	thermal contact
<b>Impregnation</b>	Moisture and hot climate protection
<b>Quality of bearings</b>	ball bearing with long-time lubrication
<b>Material Rotor</b>	Aluminium
<b>Painting rotor</b>	Rotor 1 coat painted
<b>colour rotor</b>	RAL 5002 (ultramarine blue)
<b>Material blades</b>	High Performance Composite Material
<b>Painting impeller</b>	unpainted
<b>Colour blades</b>	black
<b>Painting pipe</b>	Bell mouth powder-coated consistency class 1
<b>Colour pipe</b>	RAL 9005 (jet black)
<b>Painting mot.suspens</b>	Motor suspension powder-coated consistency class 2
<b>colour suspension</b>	RAL 9005 (jet black)
<b>Weight kg</b>	4,00
<b>ErP Data</b>	Not subject to the regulations of ErP directive (P <sub>1</sub> < 125 W)

## 2. Characteristic curve



Measured in full bell mouth without guard grille in installation type A according to ISO 5801

### 3. Drawing



Dimensions in mm

Shown drawing is just to show the dimensions of the fan.

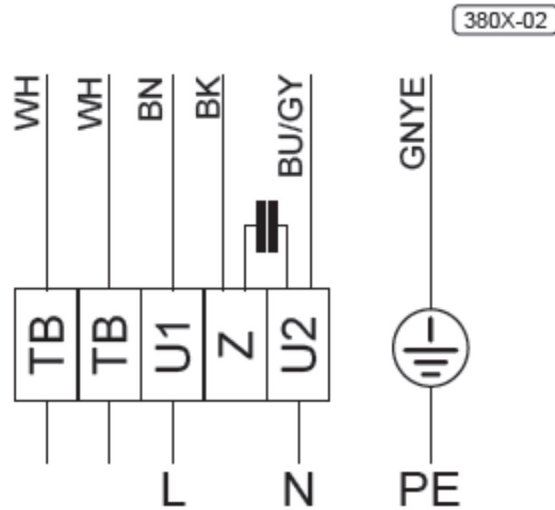
www.ziehl-abegg.com  
22.3.2016 20:58:18

Movement by Perfection | Bewegung durch Perfektion

### 4. Connection diagram

1~ Motor mit Kondensator und  
Thermostatschalter (falls eingebaut).

1~ motor with capacitor and thermostatic  
switch (if built in).



WH - weiß, white  
BN - braun, brown  
BK - schwarz, black  
BU/GY - blau oder grau, blue or grey  
GNYE - grün-gelb, green-yellow

## 5. EU-Declaration of conformity

### EC-Declaration of conformity

as defined by the EC Low Voltage Directive 2006/95/EC, the EMC guideline 2004/108/EC, as well as ErP guideline 2009/125/EG.

#### The type of machinery:

- External rotor motor MK.., MW..
- Axial fan FA.., FB.., FC.., FE.., FF.., FS.., FT.., FH.., FL.., FN.., VR.., VN.., ZC.., ZF.., ZN..
- Centrifugal fan RA.., RD.., RE.., RF.., RG.., RH.., RK.., RM.., RR.., RZ.., GR.., ER..
- Cross-flow fan QK.., QR.., QT.., QD.., QG..

#### Motor type:

- Asynchronous internal or external rotor motor
- Asynchronous internal or external rotor motor with integrated frequency inverter, except EDP system
- Electronically commutated (EC) internal or external rotor motor
- Electronically commutated internal or external rotor motor with integrated EC controller, except EDP system

is developed, designed and manufactured in accordance with the EC Directives 2006/95/EC, 2004/108/EC and 2009/125/EC, on the own responsibility of

ZIEHL-ABEGG SE  
Heinz-Ziehl-Strasse  
D-74653 Kuenzelsau

#### The following standards are applied:

EN 60034-1:2010+Cor.:2010, EN 60204-1:2006, EN 60529:1991 + A1:2000, EN 61000-6-3:2007, EN 61000-6-2:2005

Compliance with the ErP Directive 2009/125/EC does not refer to external rotor motors MK.., MW..

All ErP-relevant information comprises measurements which are determined using a standardised measurement set-up. More details can be obtained from the manufacturer.

Compliance with the EMC Directive 2004/108/EEC only applies to this product if it is connected according to the operating instructions. If this product is integrated in a system or complemented and operated with other components (e.g., switching and control equipment), the manufacturer of or company operating the overall plant is responsible for compliance with the EMC Directive 2004/108/EEC.

The complete technical documentation is available.

22.11.2013

Dr. W. Angelis - Technical Director Air Movement  
Division



ZA75-GB-12/13 Index 008

1

english

ZIEHL-ABEGG 





The Royal League in ventilation, control and drive technology

## Intelligent control technology for any application

**ZIEHL-ABEGG system capabilities:  
Everything from a single source – perfectly matched for optimal performance**

Please contact us. We would be pleased to design an individual solution for your requirements.

We would like to welcome you on our worldwide exhibitions. Please find our next exhibitions [here](#).