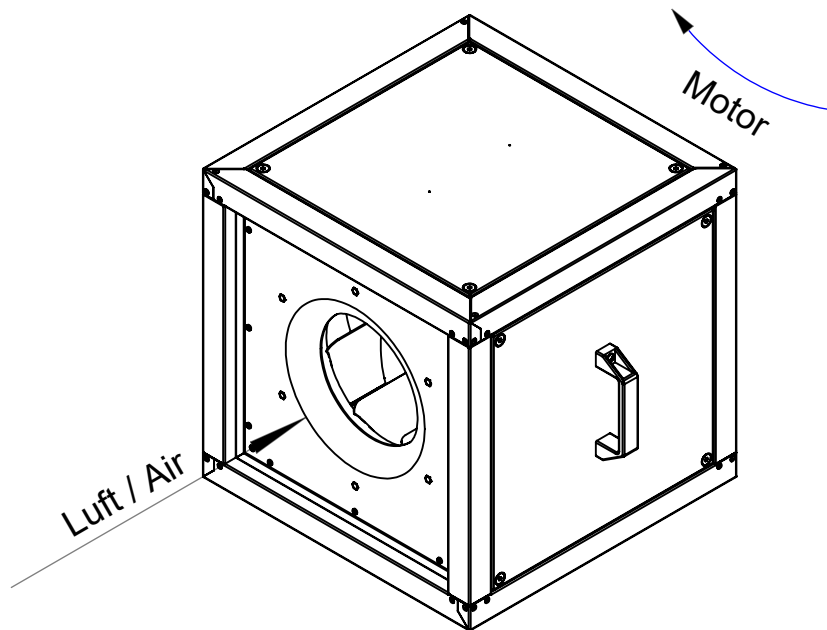
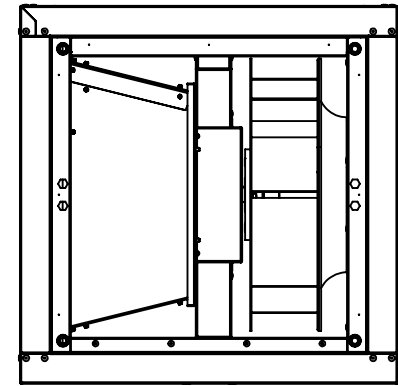


6xM6
LK Ø315mm

Connection size inside min. Ø270mm



Protection Mark
according to ISO16016
Created s.pop
Drawn s.pop
Released s.pop
Disabled

1:10 A4 mm

General tolerances
DIN ISO 2768-c

13.04.2022
13.04.2022
13.04.2022

MPC315D2F4T40

162874 00