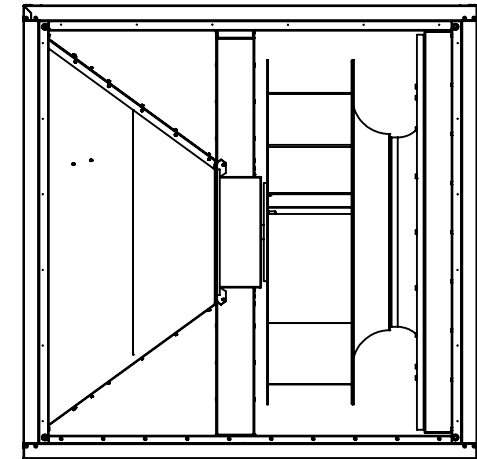
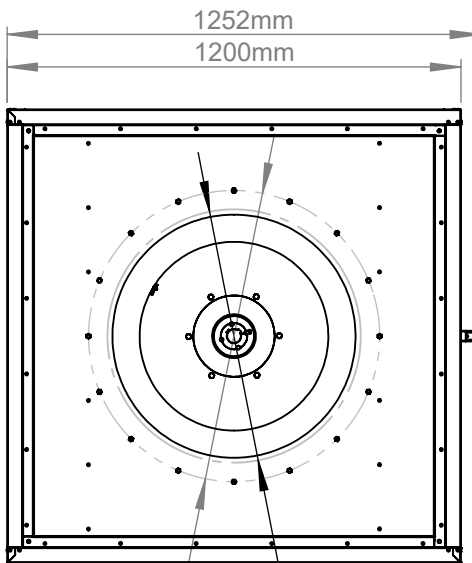
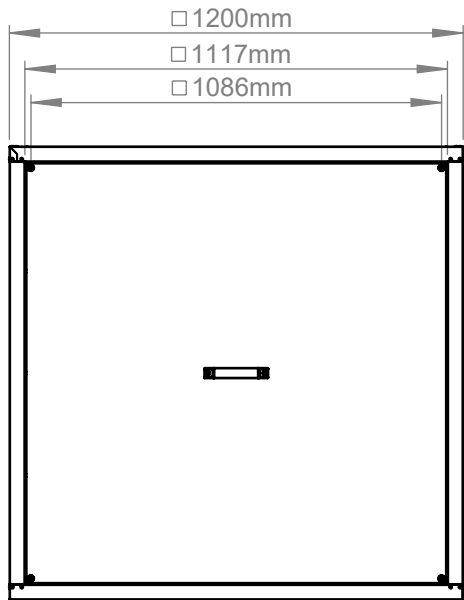
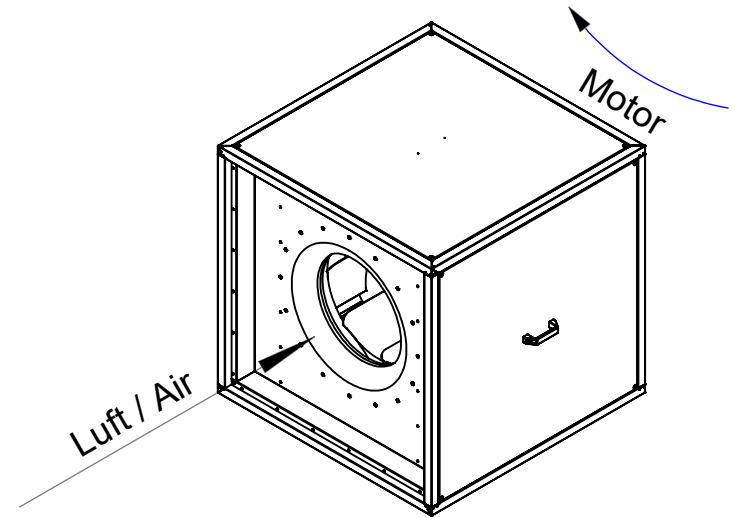
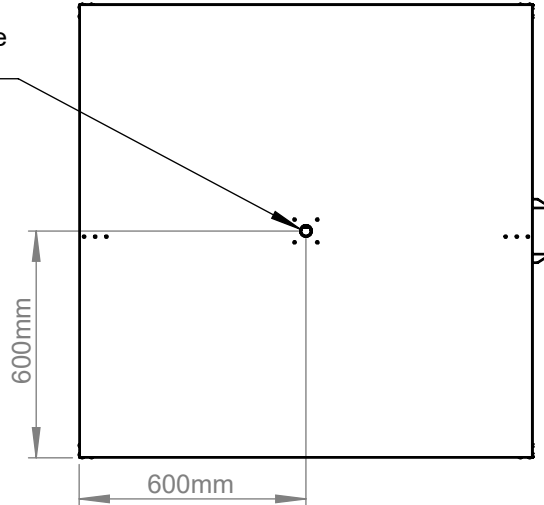
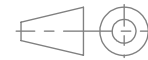


Kondensatablauf G3/4" Innengewinde  
 Drain G3/4" female thread



16xM8  
 LK  $\varnothing$ 770mm

Connection size inside min.  $\varnothing$ 670mm



1:20 A4 mm

Protection Mark according to ISO16016

General tolerances according to DIN ISO 2768-c

Created s.pop  
 Drawn s.pop  
 Released s.pop  
 Disabled

15.04.2022  
 15.04.2022  
 15.04.2022

**MPC800D6F4T40**

**162977 00**