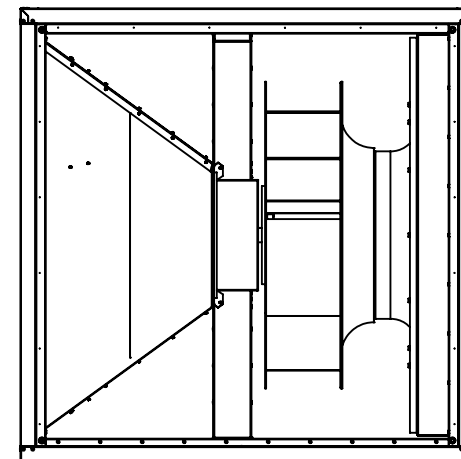
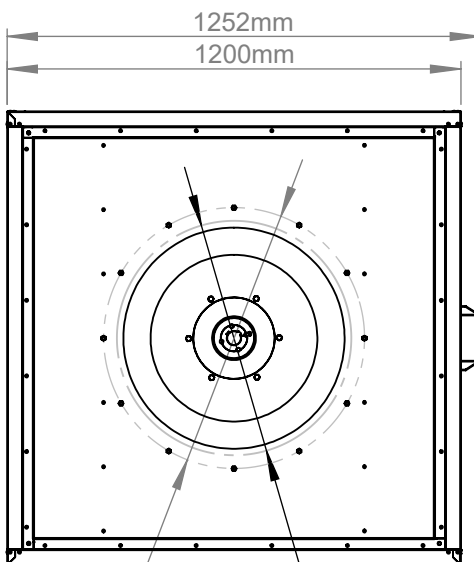
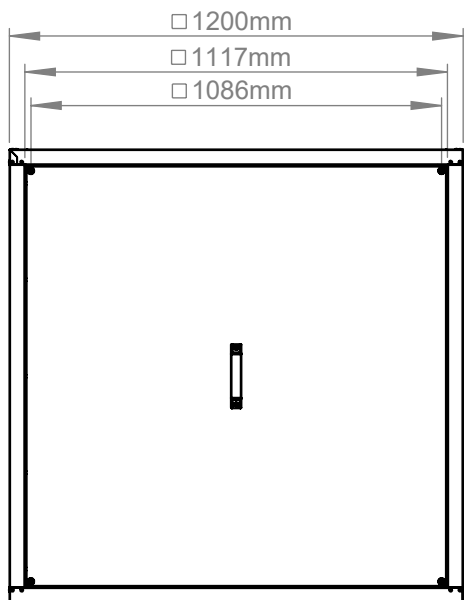
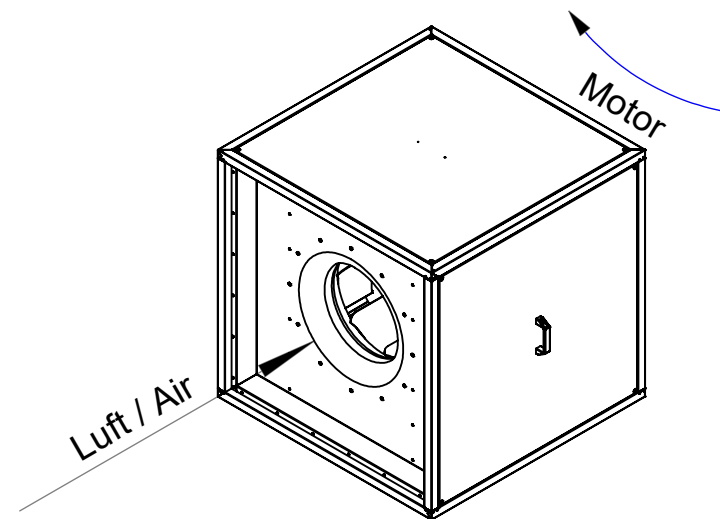
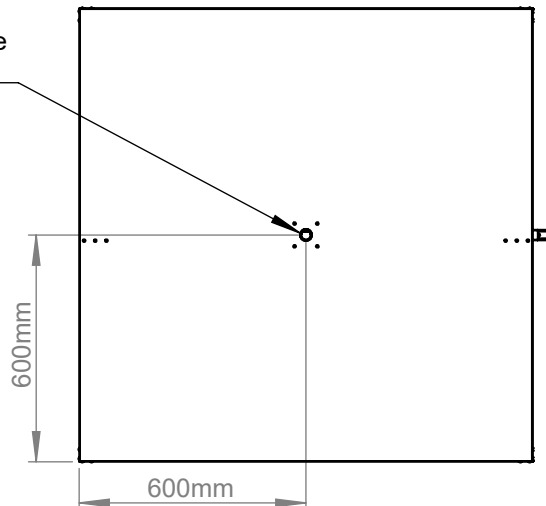


Kondensatablauf G3/4" Innengewinde
 Drain G3/4" female thread



12xM8
 LK Ø 690mm

Connection size inside min. Ø 620mm



ruck Ventilatoren
 Max-Planck-Str. 5
 D-97944 Boxberg



1:20 A4 mm

Protection Mark
 according to ISO16016

General tolerances
 DIN ISO 2768-c

Created s.pop 15.04.2022
 Drawn s.pop 15.04.2022
 Released s.pop 15.04.2022
 Disabled

MPC710D6F4T40

162975 00