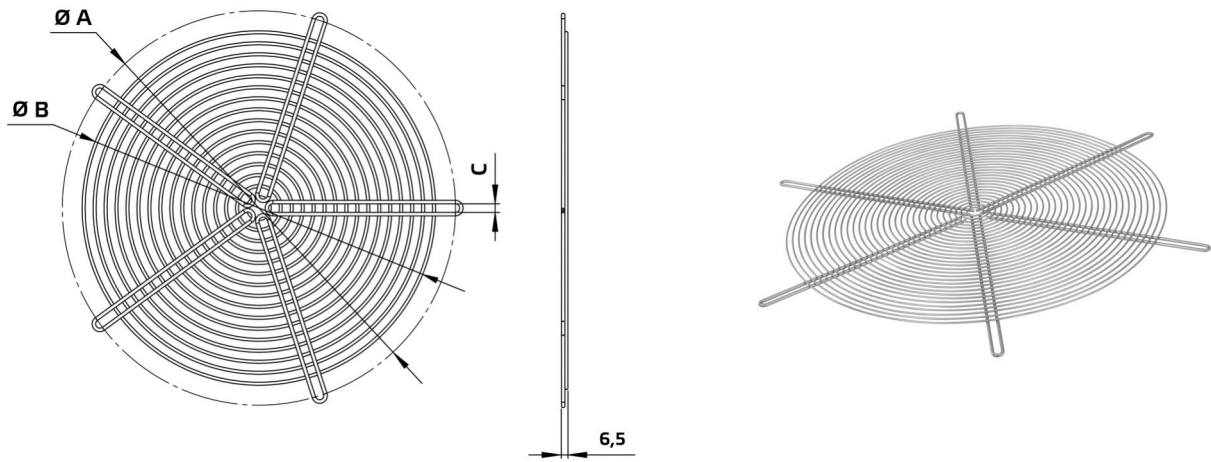


# Datasheet



Product type: **Wire protection grille**  
 Product ID: 154083  
 Product name: SGE 710



A	mm	770
B	mm	707
C	mm	16
Weight	kg	2.4

- Tight mesh
- Sheet steel, galvanized
- Flange mounting
- When using the protective grille in conjunction with the inlet nozzle, one size larger must be used for the protective grille

**Use:**

- AL 710 D6 01
- AL 710 D4 01