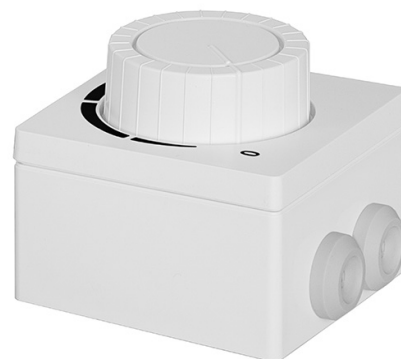
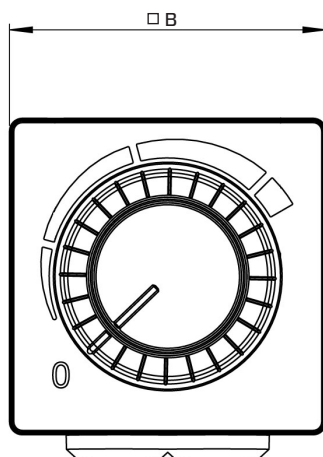
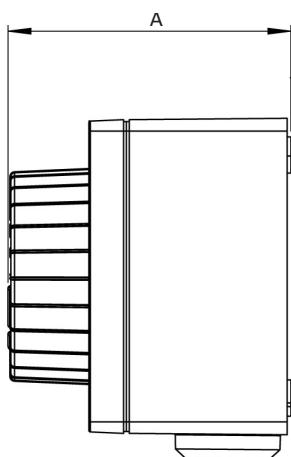


3 step switch MTS

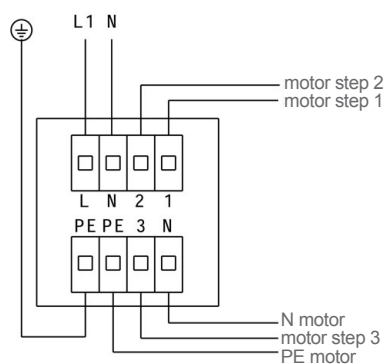


Type	ID	A mm	B mm	C mm	D mm	Weight kg
MTS 10	128145	74	83	66,5	66,5	0,2

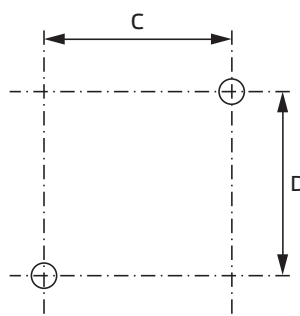
- 3 step switch MTS
- Surface and flush mounting
- Max. ambient temp 50 °C
- VDE
- Protection class IP 44

	U _{max.}	I _{max.}	P _{max.}
CE	250V~	50Hz 4A	
RU	120V~ 240V~	60Hz 60Hz	1hp 2hp

Wiring diagram :



Assembly :



Legend

- I_{max.} = Max. operating current
 U_{max.} = Maximum voltage
 P_{max.} = Maximum power