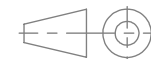
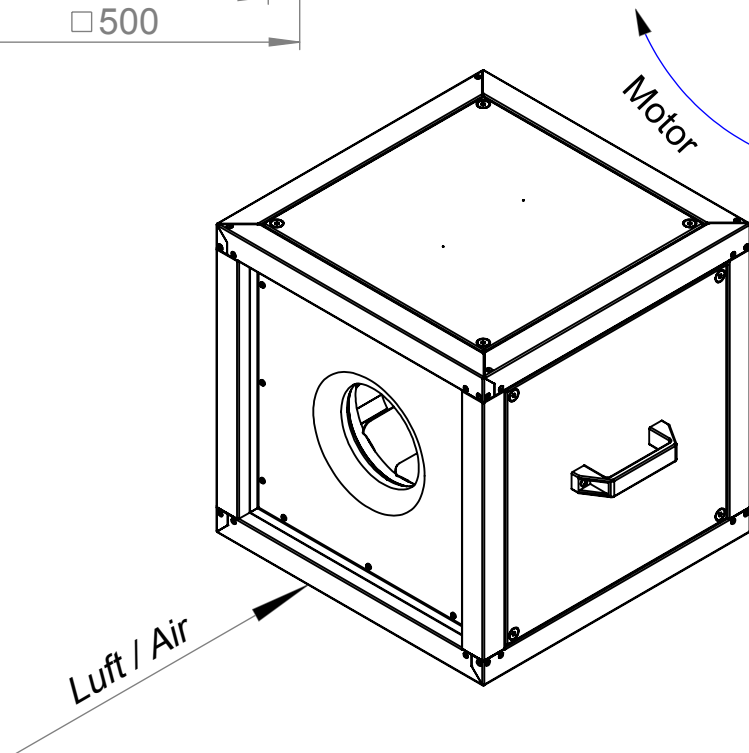
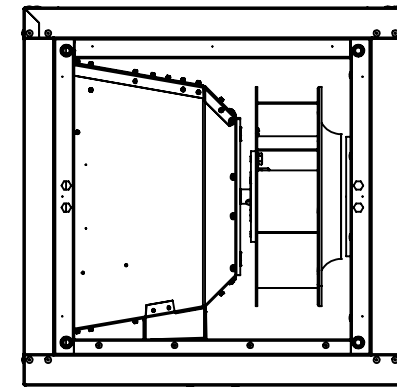


Anschlussmaß innen
min. \varnothing 220
Connection size inside
min. \varnothing 220



Protection Mark
according to ISO 16016
Created s.pop
Drawn s.pop
Released d.hancu
Disabled

1:10 A4 mm

General tolerances
DIN ISO 2768-c

28.08.2017

28.08.2017

17.07.2018

MPC250E2T20+

126679 02