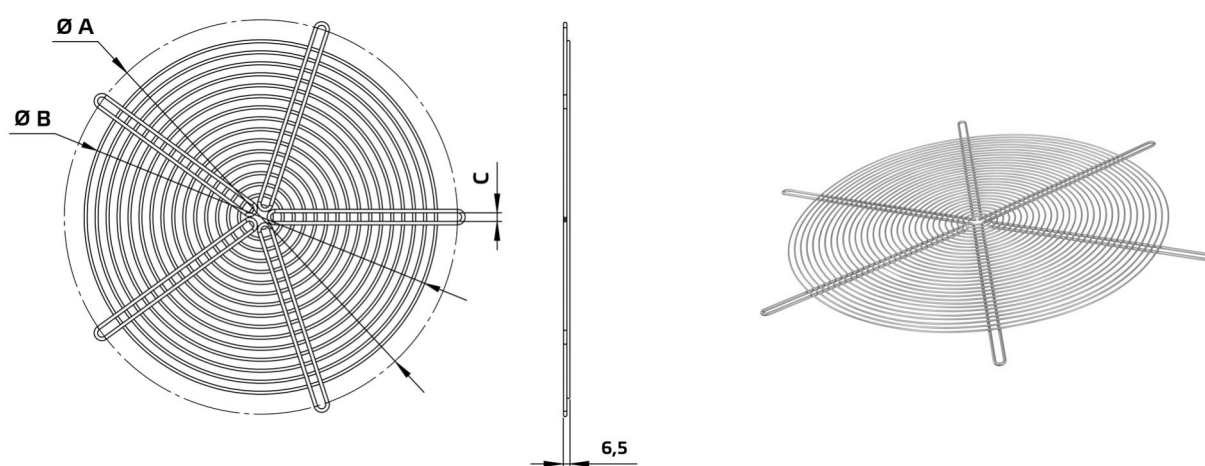


Datasheet

Product type: **Wire protection grille**
 Product ID: 154076
 Product name: SGE 500



| | | |
|--------|----|-----|
| A | mm | 560 |
| B | mm | 509 |
| C | mm | 12 |
| Weight | kg | 1.3 |

- Tight mesh
- Sheet steel, galvanized
- Flange mounting
- When using the protective grille in conjunction with the inlet nozzle, one size larger must be used for the protective grille

Use:

- AL 500 D4 01
- AL 500 EC 01
- AL 500 D2 01