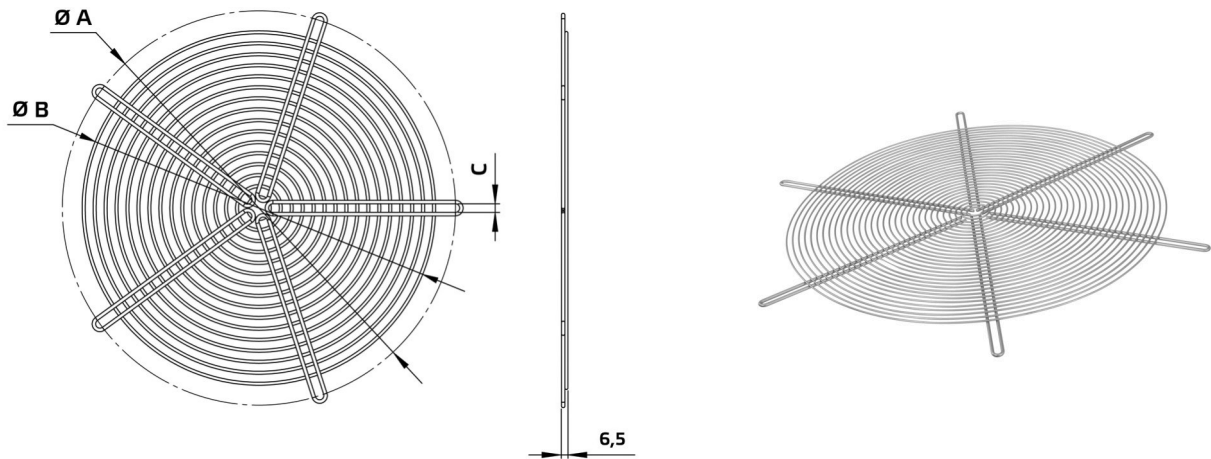


Datasheet

Product type: **Wire protection grille**
 Product ID: 154074
 Product name: SGE 400



A	mm	450
B	mm	399
C	mm	8
Weight	kg	0.8

- Tight mesh
- Sheet steel, galvanized
- Flange mounting
- When using the protective grille in conjunction with the inlet nozzle, one size larger must be used for the protective grille

Use:

- AL 400 D4 01
- AL 400 EC 01
- AL 400 D2 01