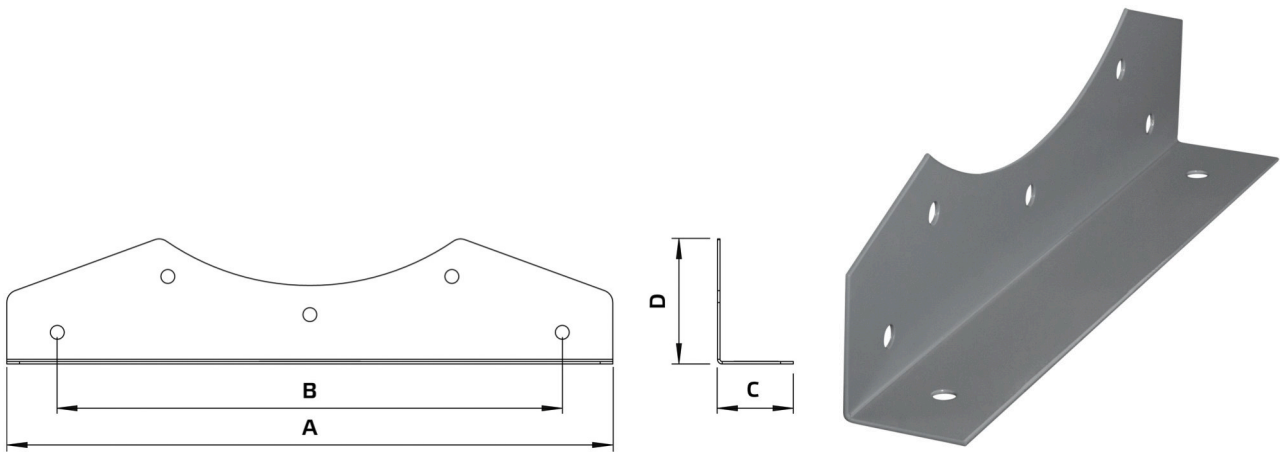


# Datasheet

Product type: **Mounting foot**  
Product ID: 157899  
Product name: FAL 1000



|        |    |      |
|--------|----|------|
| A      | mm | 1110 |
| B      | mm | 1000 |
| C      | mm | 100  |
| D      | mm | 250  |
| Weight | kg | 9.7  |

- Mounting foot for Axialine
- Sheet steel, powder-coated
- Suitable for outdoor installation

## Use:

- AL 1000 D4 F4 01
- AL 1000 D4 01
- AL 1000 D6 F4 03
- AL 1000 D6 03
- AL 1000 D4 F4 02
- AL 1000 D4 02
- AL 1000 D4 F4 04
- AL 1000 D4 04
- AL 1000 D6 F4 02
- AL 1000 D6 02