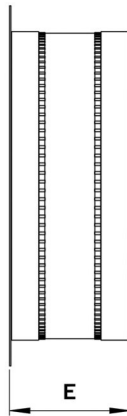
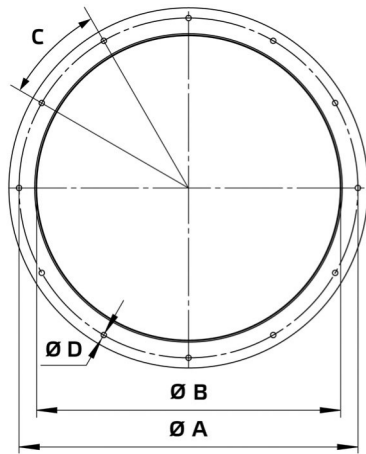


# Datasheet



Product type: **Round inlet spigot**  
 Product ID: 154306  
 Product name: RAS 560 F4



A	mm	620
B	mm	560
C		12 x 30°
D	mm	12
E	mm	153 ... 223
Weight	kg	6.6

- Flexible connection
- Continuous temperature 75°C
- Sheet steel, galvanized
- Silicone band
- Temperature class according to DIN EN 12101-3 F400 (400°C/120min)

## Use:

- AL 560 D4 F4 01
- AL 560 D4 F4 02