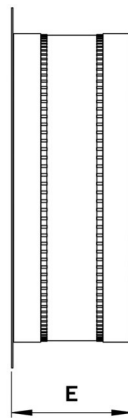
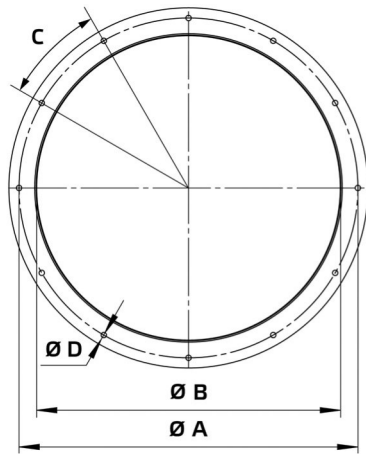


Datasheet



Product type: **Round inlet spigot**
 Product ID: 154303
 Product name: RAS 450 F4



A	mm	500
B	mm	450
C		8 x 45°
D	mm	12
E	mm	105 ... 175
Weight	kg	4.5

- Flexible connection
- Continuous temperature 75°C
- Sheet steel, galvanized
- Silicone band
- Temperature class according to DIN EN 12101-3 F400 (400°C/120min)

Use:

- AL 450 D4 F4 01
- AL 450 D2 F4 01

154303_pdsc_k10001_en_20220808