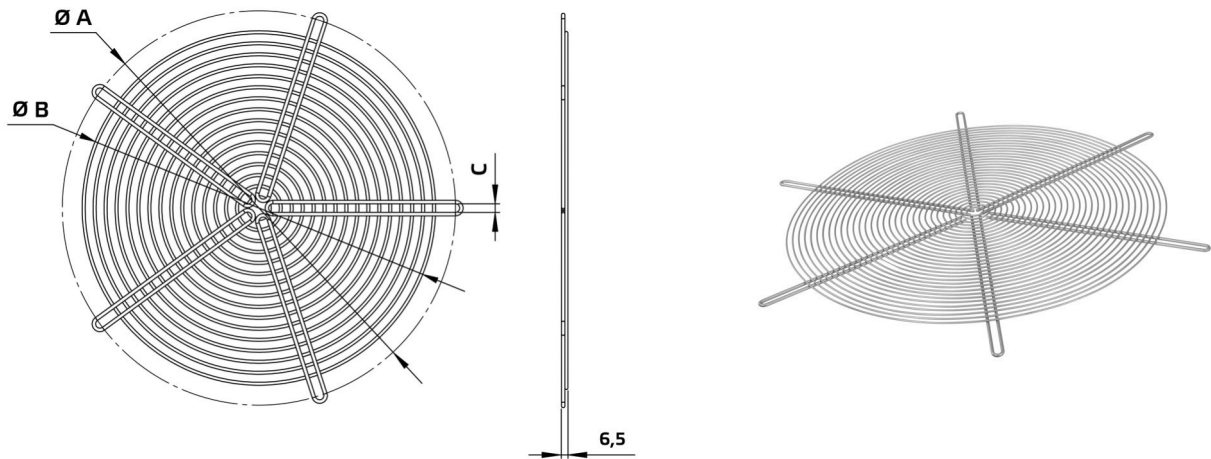


Datasheet

Product type: **Wire protection grille**
 Product ID: 154079
 Product name: SGE 630



A	mm	690
B	mm	641
C	mm	12
Weight	kg	2

- Tight mesh
- Sheet steel, galvanized
- Flange mounting
- When using the protective grille in conjunction with the inlet nozzle, one size larger must be used for the protective grille

Use:

- AL 630 D6 01
- AL 630 D4 01