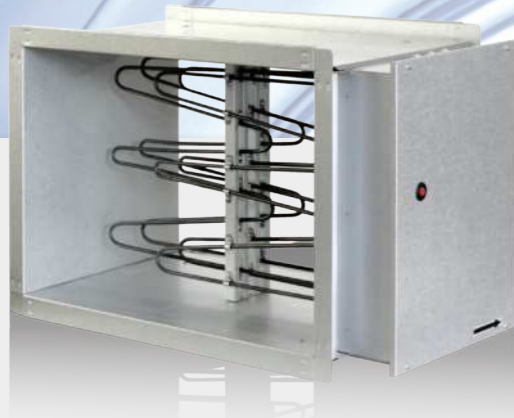


RECTANGULAR DUCT HEATERS EKS



ALUZINC CASING
STAINLESS STEEL HEATING ELEMENTS
TWO-STAGE OVERHEAT PROTECTION

Rectangular electric heaters EKS are designed to heat clean air in ventilation systems. Casing is made from aluzinc coated steel which is high temperature proof. Heating elements tube is made from stainless steel AISI 304. In heaters are installed 2 protection thermostats, screw terminals for easy connection. All EKS duct heaters has two-stage overheat protection.

STANDARD DIMENSIONS*

EKS 400x200																		
Lenght	mm	370			420		520											
Power	kW	6	9	12	15	21												
EKS 500x250																		
Lenght	mm	370	420			520	600	820	970									
Power	kW	9	12	15	21	24	36	45										
EKS 500x300																		
Lenght	mm	370					440			520	600							
Power	kW	9	12	15	18	21	24	27	30	33	36	42	45					
EKS 600x300																		
Lenght	mm	370					440			520	600							
Power	kW	9	12	15	18	21	24	27	30	33	36	42	45					
EKS 600x350																		
Lenght	mm	370					420			500								
Power	kW	9	12	15	18	21	24	27	30	33	36	39	42	45				
EKS 700x400																		
Lenght	mm	370							440			520						
Power	kW	9	12	15	18	21	24	27	30	33	36	42	45	51	60	66		
EKS 800x500																		
Lenght	mm	370							420			440				500		
Power	kW	9	12	15	18	21	24	27	30	33	36	39	42	45	51	54	60	66
EKS 1000x500																		
Lenght	mm	370							420			440				500		
Power	kW	9	12	15	18	21	24	27	30	33	36	39	42	45	51	54	60	66

*We produce rectangular heaters of non-standard dimensions and power by your technical inquiry.

Type of heater	Accessories (optionally)			
	Temperature controllers for heaters type EKS			
	EKR 6.1 (for 1 and 2 phase)	EKR 15.1 (3 phase)	EKR 15.1P (3 phase)	Temperature sensor
TJK10K				
EKS 400x200	+	+	+	+
EKS 500x250	-	+	+	+
EKS 500x300	-	+	+	+
EKS 600x300	-	+	+	+
EKS 600x350	-	+	+	+
EKS 700x400	-	+	+	+
EKS 800x500	-	+	+	+
EKS 1000x500	-	+	+	+

RECTANGULAR DUCT HEATERS EKS WITH BUILT-IN CONTROL



ALUZINC CASING
STAINLESS STEEL HEATING ELEMENTS
TWO-STAGE OVERHEAT PROTECTION
BUILT-IN CONTROL

Rectangular electric heaters EKS are designed to heat clean air in ventilation systems. Casing is made from aluzinc coated steel which is high temperature proof. Heating elements tube is made from stainless steel AISI 304. In heaters are installed 2 protection thermostats, screw terminals for easy connection. All EKS duct heaters has two-stage overheat protection.

There are several types of heaters EKS with built-in controls:

EKS NV (PTC/PS) - potentiometer is used to set temperature, temperature set point are located on the case of a heater. The duct sensor TJK10K is needed. Also can be with air flow sensor PTC and differential pressure sensor PS.

EKS NI - external temperature setpoint must be connected separately. The duct temperature sensor TJK10K and potentiometer is needed.

EKS NIS - the external control signal (0-10V) is needed. The ratio between On-time and Off-time is varied 0-100% to suit the prevailing heat demand.

NEW! EKS ESKM - in heaters are installed module of electrical heating ESKM, which is controlled by the PWM signal on/off: on- min 6V, max 24V.

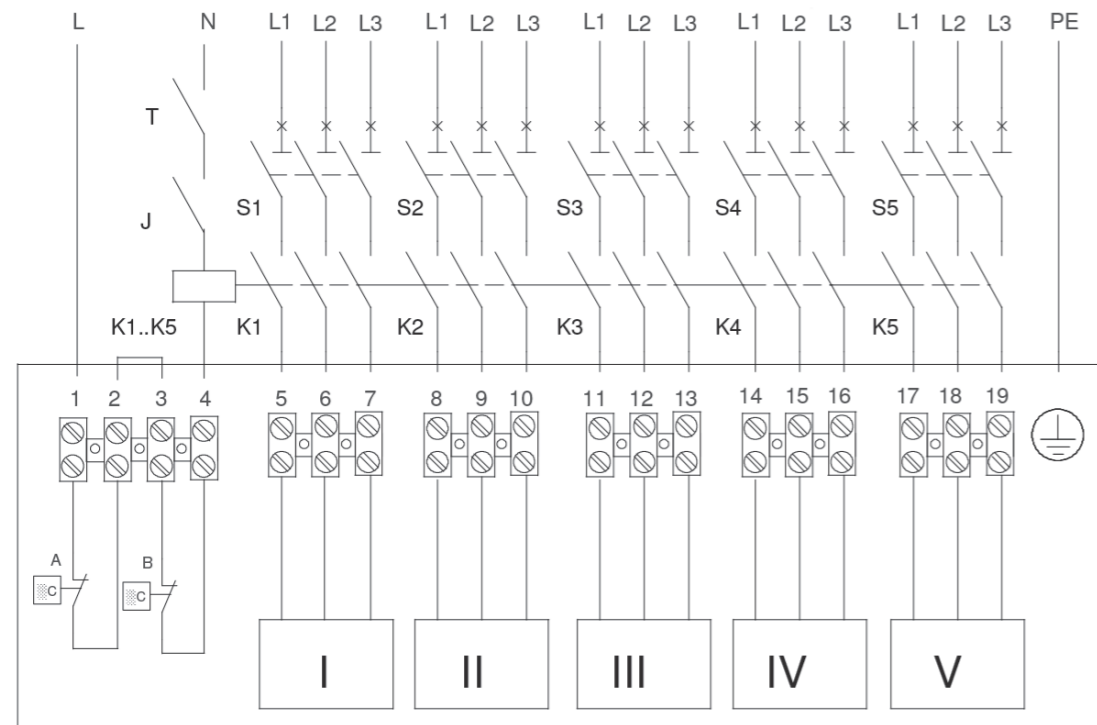
NEW! EKS MB - in heaters are installed module of electrical heating control with PID function and Modbus interface. RS485 equipment with RTU protocol is used. The amount of heat required is adjustable by changing the ratio between heating on/off time (0-100%).

STANDARD DIMENSIONS*

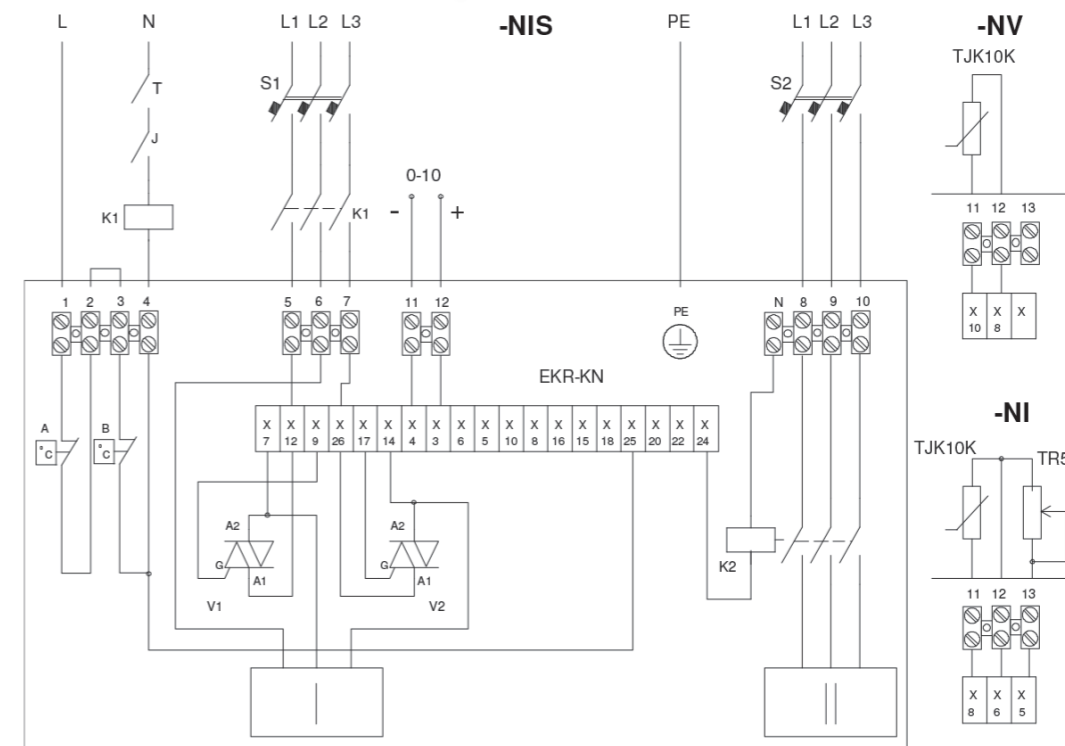
EKS NV/NI/NIS/ESKM/MB 400x200																		
Lenght	mm	370			420		520											
Power	kW	6	9	12	15	21												
EKS NV/NI/NIS/ESKM/MB 500x250																		
Lenght	mm	370	420			520	600	820	970									
Power	kW	9	12	15	21	24	36	45										
EKS NV/NI/NIS/ESKM/MB 500x300																		
Lenght	mm	370					440			520	600							
Power	kW	9	12	15	18	21	24	27	30	33	36	42	45					
EKS NV/NI/NIS/ESKM/MB 600x300																		
Lenght	mm	370					440			520	600							
Power	kW	9	12	15	18	21	24	27	30	33	36	42	45					
EKS NV/NI/NIS/ESKM/MB 600x350																		
Lenght	mm	370					420			500								
Power	kW	9	12	15	18	21	24	27	30	33	36	39	42	45				
EKS NV/NI/NIS/ESKM/MB 700x400																		
Lenght	mm	370							440			520						
Power	kW	9	12	15	18	21	24	27	30	33	36	42	45	51	60	66		
EKS NV/NI/NIS/ESKM/MB 800x500																		
Lenght	mm	370							420			440				500		
Power	kW	9	12	15	18	21	24	27	30	33	36	39	42	45	51	54	60	66
EKS NV/NI/NIS/ESKM/MB 1000x500																		
Lenght	mm	370							420			440				500		
Power	kW	9	12	15	18	21	24	27	30	33	36	39	42	45	51	54	60	66

*We produce rectangular heaters of non-standard dimensions and power by your technical inquiry.

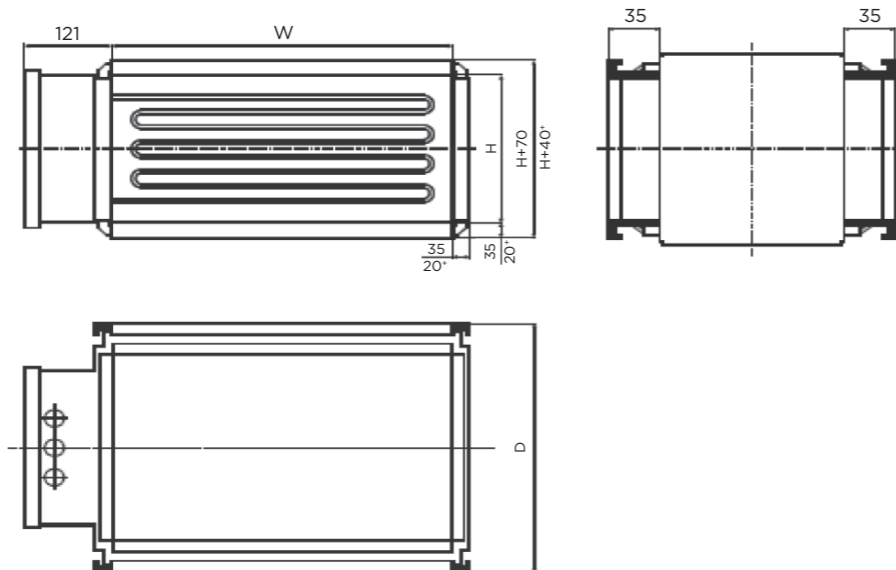
RECTANGULAR HEATER EKS
POSSIBLE ELECTRICAL CONNECTION



RECTANGULAR HEATER EKS
- NV/NI/NIS POSSIBLE ELECTRICAL CONNECTION



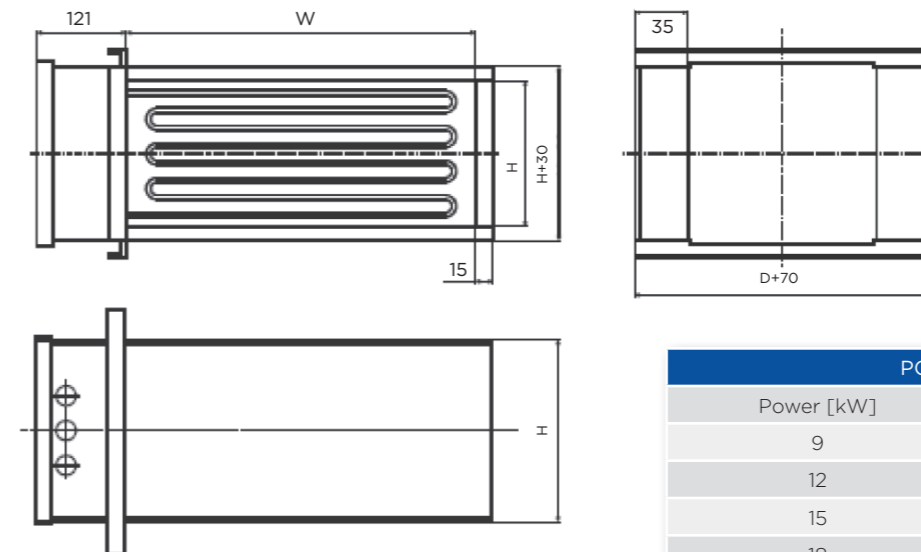
DIMENSION



ELECTRICAL WIRING DIAGRAM MARKING

- I..V - Heater steps
- B - Automatic reset overheating thermostat
- A - Manual reset overheating thermostat
- J - Switch
- K1..K5 - Relays
- S..S5 - Automatic circuit breakers
- T - Thermostat
- V1, V2 - Triacs
- EKR-KN - PCB
- TR 5 - External temperature setpoint
- TJK10K - Duct temperature sensor

DIMENSION



POWER STEPS	
Power [kW]	Steps
9	9
12	12
15	15
18	9+9
21	9+12
24	9+15
27	12+15
30	15+15
33	15+18
36	9+12+15
39	9+15+15
42	12+15+15
45	12+15+18
51	9+12+12+18
54	9+12+15+18
60	12+15+15+18
66	15+15+18+18