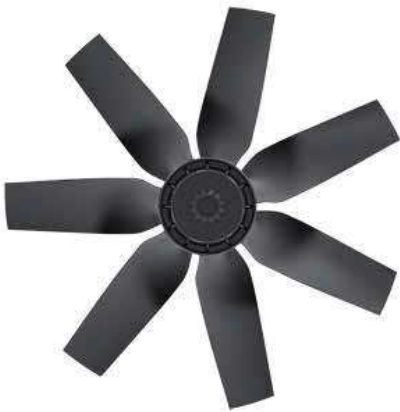


FC

for three phase alternating current, 6 pole

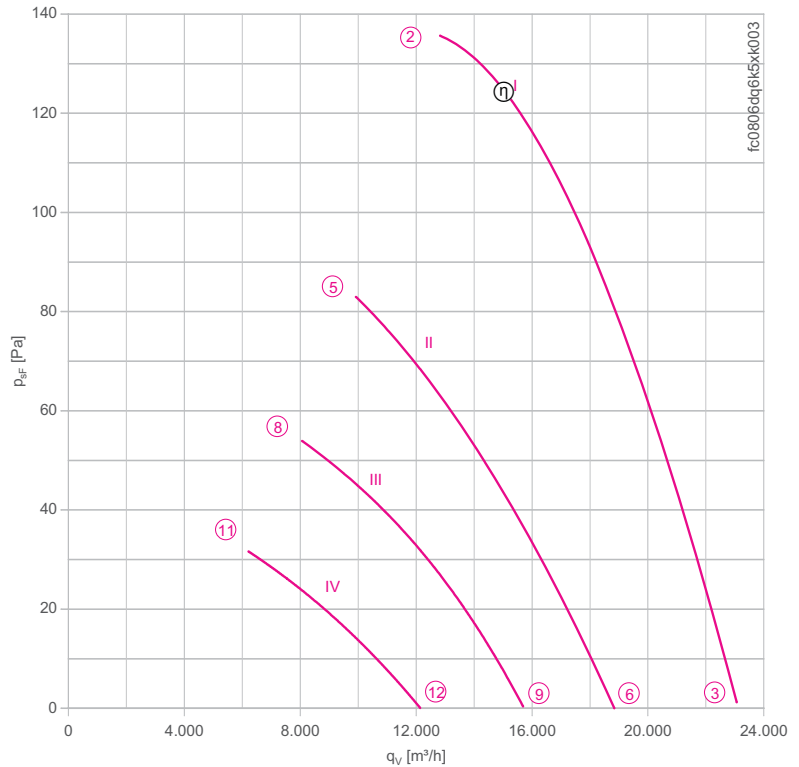
FC080-6D



Description

Motor technology: AC
 Rated voltage U_N : 3~ 230/400 V (Δ/Y) ± 10 %*
 Rated frequency f_N : 50 Hz*
 Input power P_i : 1.40 kW*
 Rated current I_N : 4.70/2.70 A*
 Rated speed n_N : 900 min⁻¹*
 Starting current I_s : 16.00 / 9.00 A
 Current increase ΔI : 10 %
 Thermal class: THCL155*
 Min. permitted ambient temperature $t_{R(min)}$: -40 °C
 Max. permitted ambient temperature $t_{R(max)}$: 60 °C
 Electrical connection: Terminal box
 Number of blades: 7
 Protection class: IP54
 Motor protection: thermal contact
 Blades: Aluminium, 1 coat paint, jet black
 Rotor: Aluminium, 1 coat paint, jet black
 Conformity: ErP 2015, CE
ErP-data
 Efficiency η_{statA} : 38.0 %
 Efficiency: $N_{actual} = 43.4 / N_{target} = 40$ **
 * Rated data
 **ErP 2015

Characteristic curve



Measured in full bell mouth without guard grille in installation type A according to ISO 5801.

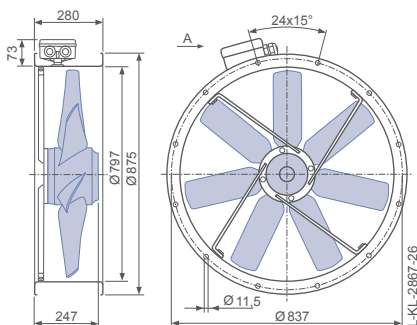
Connection diagram

Page 192
1360-106XB

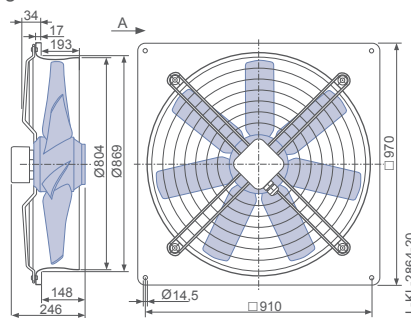
Dimensions mm

Airflow direction A

Design F - flange ring with two flanges, without guard grille



Design Q - square full bell mouth, guard grille suction side





Performance data

Type	Characteristic curve	Voltage	Operating point	Current	Input power	Speed	Suction side sound power level L_{WAS} dB(A)
		U V		I A	P_1 W	n min ⁻¹	
FC080-6D_6K.A7	I	400*	②	2.70*	1400*	900*	82
		400	③	2.40	1150	920	81
	II	230	⑤	3.00	940	690	76
		230	⑥	2.60	840	750	77
	III	180	⑧	2.80	670	560	71
		180	⑨	2.60	640	630	73
	IV	140	⑪	2.40	430	430	65
		140	⑫	2.30	420	490	67

*rated data

Fan ordering information

Airflow direction A 		
Design	F (without guard grille)	Q (guard grille suction side)
		
Type	FC080-6DF.6K.A7	FC080-6DQ.6K.A7
Article no.	125030	125009
Weight kg	39.10	38.60

Control technology

Frequency inverter Fcontrol 3~	Motor protection units 3~	Electronic voltage controllers 3~
		