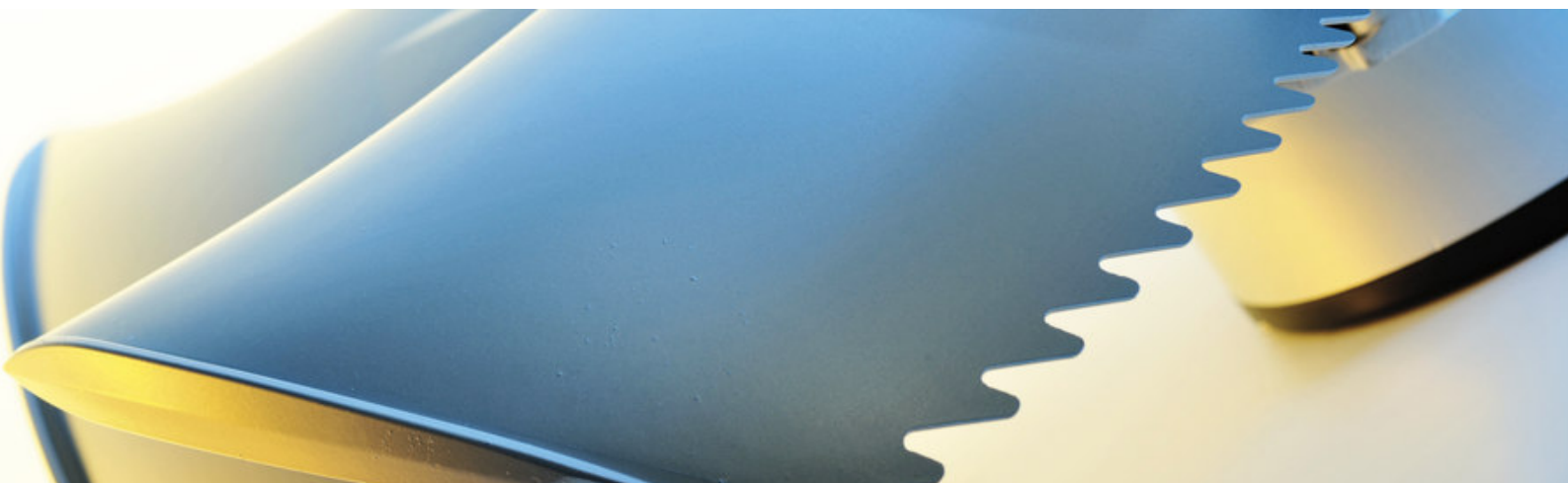




Movement by Perfection



The Royal League in **ventilation**, control and drive technology



Product documentation

Type  
FC063-4DF.6K.A7

Article number  
124982

### Product documentation

Type  
FC063-4DF.6K.A7

Article number  
124982



#### Contents

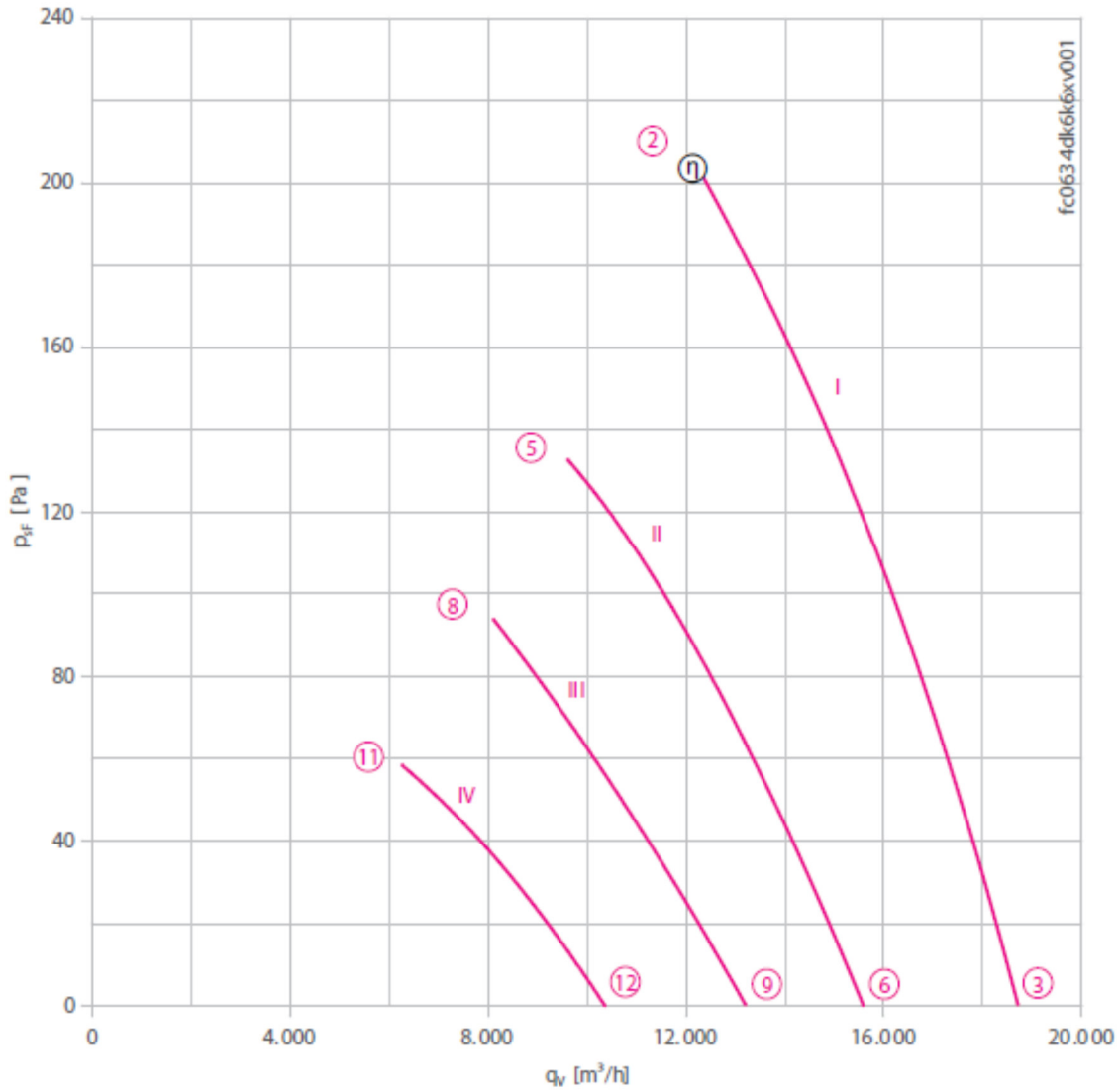
1.	Product specification	3
2.	Characteristic curve	4
3.	Drawing	5
4.	Connection diagram	6
5.	EU-Declaration of conformity	7

### 1. Product specification

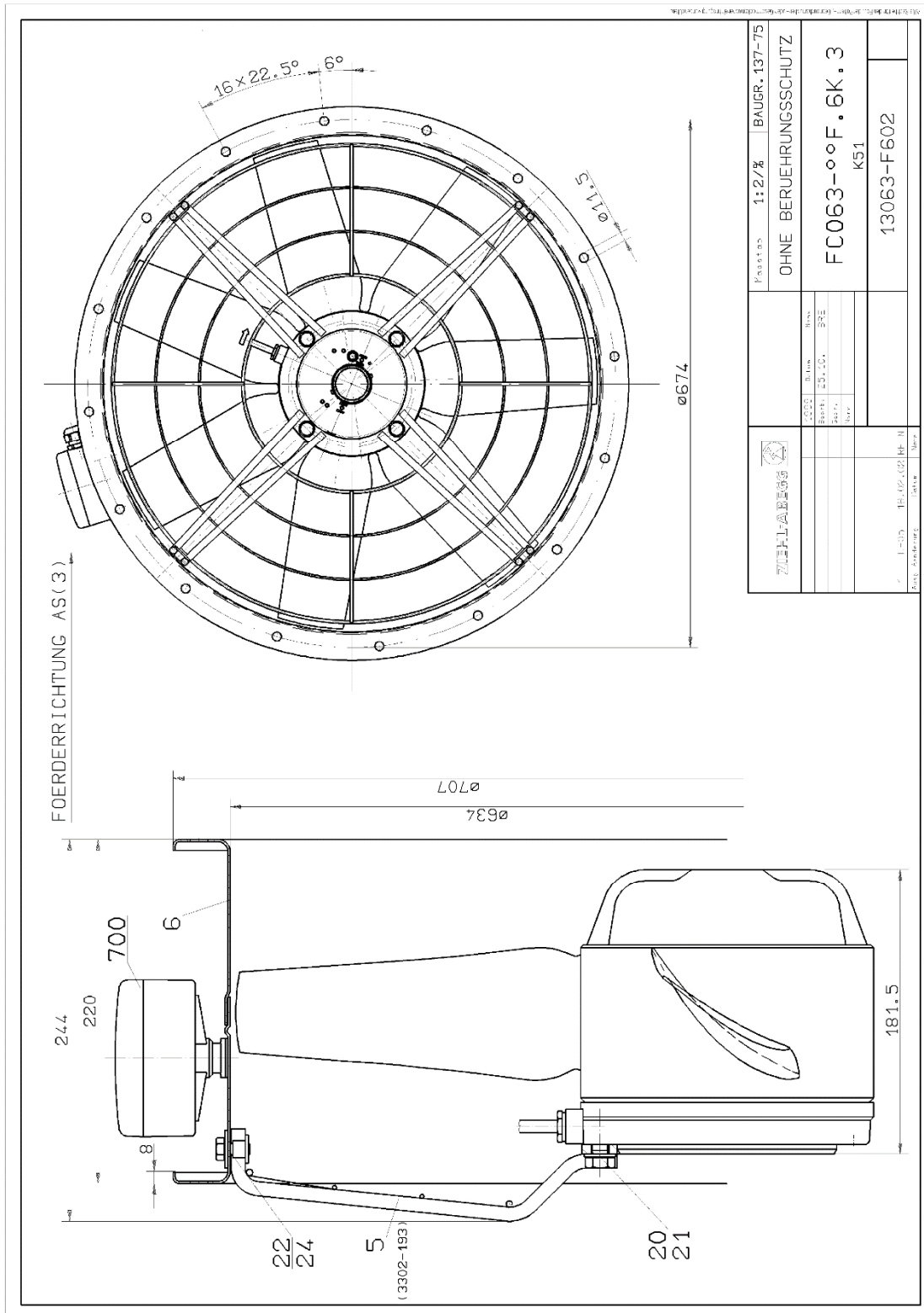
#### Technical data

<b>Article number</b>	124982
<b>Type</b>	FC063-4DF.6K.A7
<b>Designation</b>	Axial fan with diecast blades
<b>Rated values</b>	3~230/400V±10% D/Y 50Hz P <sub>1</sub> 1.90kW 5.50/ 3.20A 1360/min COSY 0,86
<b>Electrical connection</b>	Terminal box K51 9x 0,75 mm <sup>2</sup> , 50 cm
<b>Min. operating temperature °C</b>	-40
<b>Mounting type terminal box</b>	Mounted on fan housing
<b>Cable quality</b>	Li4G4G-J
<b>Type of protection</b>	IP54
<b>Thermal class</b>	THCL155
<b>Connection diagram</b>	1360-106XB
<b>Rating plate</b>	1x fixed
<b>Fitting position</b>	H/Vu/Vo
<b>Motor protection</b>	thermal contact
<b>Impregnation</b>	Moisture and hot climate protection
<b>Quality of bearings</b>	ball bearing with long-time lubrication
<b>Material Rotor</b>	Aluminium
<b>Painting rotor</b>	Rotor 1 coat painted
<b>colour rotor</b>	RAL 9005 (jet black)
<b>Material blades</b>	Aluminium
<b>Painting impeller</b>	1 coat painted
<b>Colour blades</b>	RAL 9005 (jet black)
<b>Guard grille type</b>	ring grille
<b>Painting pipe</b>	Bell mouth 1 coat paint
<b>Colour pipe</b>	RAL 9005 (jet black)
<b>Painting mot.suspens</b>	Motor suspension 1 coat paint
<b>colour suspension</b>	RAL 9005 (jet black)
<b>Weight kg</b>	28,20
<b>ErP Data</b>	Efficiency $\eta_{statA}$ : 36.4 % Efficiency: $N_{actual} = 41.0 / N_{target} = 40^*$ *ErP 2015

### 2. Characteristic curve



### 3. Drawing



Dimensions in mm

Shown drawing is just to show the dimensions of the fan.

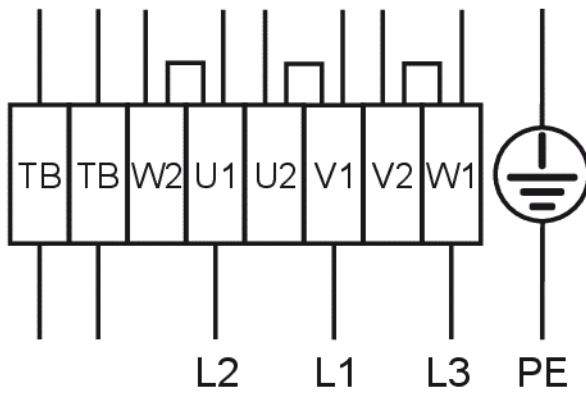
### 4. Connection diagram

1360-106XB

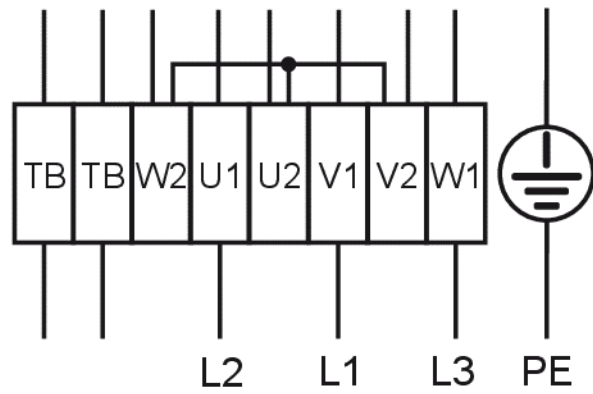
3~ motor with one speed and thermostatic switch (if built in).

U1	brown
V1	blue
W1	black
U2	red
V2	grey
W2	orange
TB	white

Δ-connection



Y-connection



## 5. EU-Declaration of conformity

### EC-Declaration of conformity

as defined by the EC Low Voltage Directive 2006/95/EC, the EMC guideline 2004/108/EC, as well as ErP guideline 2009/125/EG.

#### The type of machinery:

- External rotor motor MK..., MW..
- Axial fan FA..., FB..., FC..., FE..., FF..., FS..., FT..., FH..., FL..., FN..., VR..., VN..., ZC..., ZF..., ZN..
- Centrifugal fan RA..., RD..., RE..., RF..., RG..., RH..., RK..., RM..., RR..., RZ..., GR..., ER..
- Cross-flow fan QK..., QR..., QT..., QD..., QG..

#### Motor type:

- Asynchronous internal or external rotor motor
- Asynchronous internal or external rotor motor with integrated frequency inverter, except EDP system
- Electronically commutated (EC) internal or external rotor motor
- Electronically commutated internal or external rotor motor with integrated EC controller, except EDP system

is developed, designed and manufactured in accordance with the EC Directives 2006/95/EC, 2004/108/EC and 2009/125/EC, on the own responsibility of

ZIEHL-ABEGG SE  
Heinz-Ziehl-Strasse  
D-74653 Kuenzelsau

#### The following standards are applied:

EN 60034-1:2010+Cor.:2010, EN 60204-1:2006, EN 60529:1991 + A1:2000, EN 61000-6-3:2007, EN 61000-6-2:2005

Compliance with the ErP Directive 2009/125/EC does not refer to external rotor motors MK..., MW..

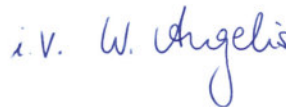
All ErP-relevant information comprises measurements which are determined using a standardised measurement set-up. More details can be obtained from the manufacturer.

Compliance with the EMC Directive 2004/108/EEC only applies to this product if it is connected according to the operating instructions. If this product is integrated in a system or complemented and operated with other components (e.g., switching and control equipment), the manufacturer of or company operating the overall plant is responsible for compliance with the EMC Directive 2004/108/EEC.

The complete technical documentation is available.

22.11.2013

Dr. W. Angelis - Technical Director Air Movement  
Division



ZA75-GB-12/13 Index 008

1

english

ZIEHL-ABEGG 

# The Royal League Die Königsklasse



The Royal League in ventilation, control and drive technology

## Intelligent control technology for any application

**ZIEHL-ABEGG system capabilities:**  
Everything from a single source – perfectly matched for optimal performance

Please contact us. We would be pleased to design an individual solution for your requirements.

We would like to welcome you on our worldwide exhibitions. Please find our next exhibitions [here](#).