



Movement by Perfection



The Royal League in ventilation, control and drive technology



Product documentation

Type
FN040-4EF.0F.A7P1

Article number
162605

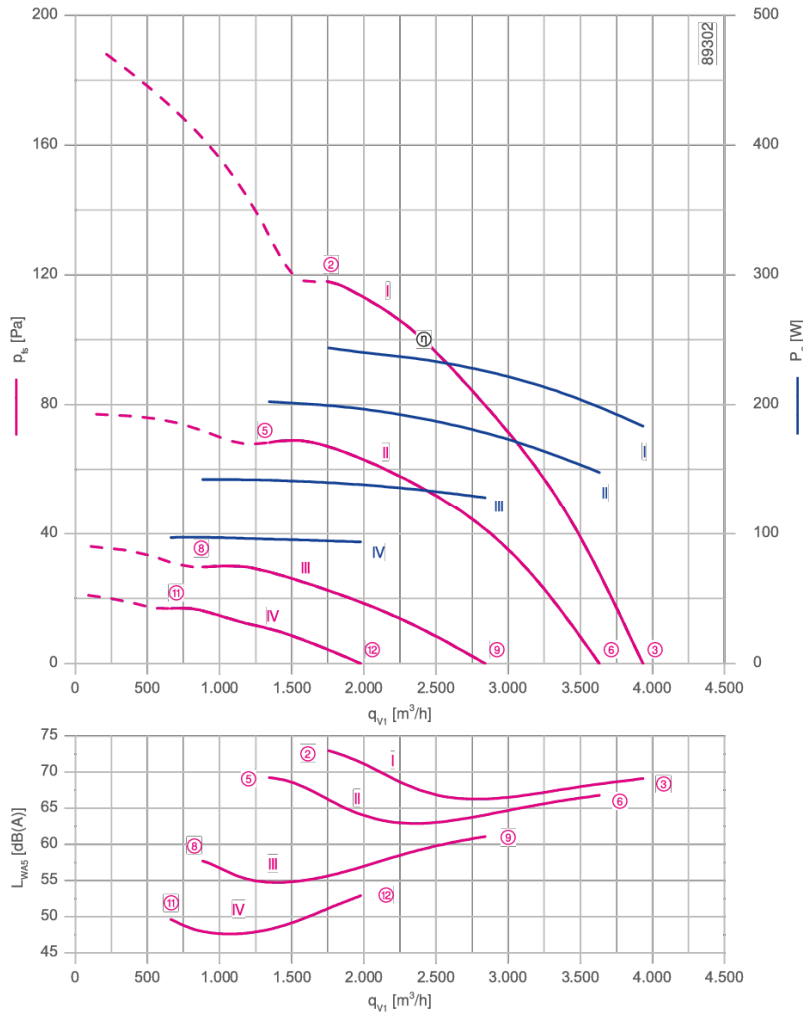
1. Product specification - Technical data

Article number	162605
Type	FN040-4EF.0F.A7P1
Designation	Axial fan with sickle blades
Rated values	1~230V ±10% 50Hz P ₁ 240W 1.05A ΔI=15% 1340/min 5.0uF/400V 65°C 1~230V±10% 60Hz P ₁ 330W 1.45A ΔI=5% 1480/min 5,0uF/400V PsF max. 70Pa 40°C
Electrical connection	Terminal box K51 7x 0,5 mm ² , 55 cm
Min. operating temperature °C	-25
Mounting type terminal box	Mounted on fan housing
Cable quality	Li4G4G-J
Type of protection	IP54
Thermal class	THCL155
Connection diagram	1360-104XB
Rating plate	1x fixed
Fitting position	H/Vu/Vo
Motor protection	thermal contact
Impregnation	Moisture and hot climate protection
Quality of bearings	ball bearing with long-time lubrication
Material Rotor	Aluminium
Painting rotor	Rotor 1 coat painted
colour rotor	RAL 9005 (jet black)
Material blades	High Performance Composite Material
Painting impeller	unpainted
Colour blades	black
Guard grille type	ring grill
Painting housing	Bell mouth powder-coated consistency class 1
Colour housing	RAL 9005 (jet black)
Painting mot.suspens	Motor suspension powder-coated consistency class 1
colour suspension	RAL 9005 (jet black)
Special mounted part	Flange ring in special design.
Weight kg	8.40
ErP Data	Efficiency η_{statA} : 31.1 % Efficiency grade: $N_{actual} = 41.3 / N_{target} = 40^*$ *ErP 2015

2. Characteristic curve

Characteristic curve

Frequency: 50 Hz



		②	③	⑤	⑥	⑧	⑨	⑪	⑫
Operating point									
Characteristic curve		I	I	II	II	III	III	IV	IV
Connection		L	L	L	L	L	L	L	L
Voltage	V	230	230	170	170	135	135	110	110
Input power	W	240	180	200	150	140	130	95	95
Current	A	1.05	0.80	1.20	0.86	1.10	0.96	0.92	0.88
Speed	min^{-1}	1340	1410	1030	1310	690	1020	510	710
Suction side sound power level	dB(A)	73	69	69	67	57	61	50	53

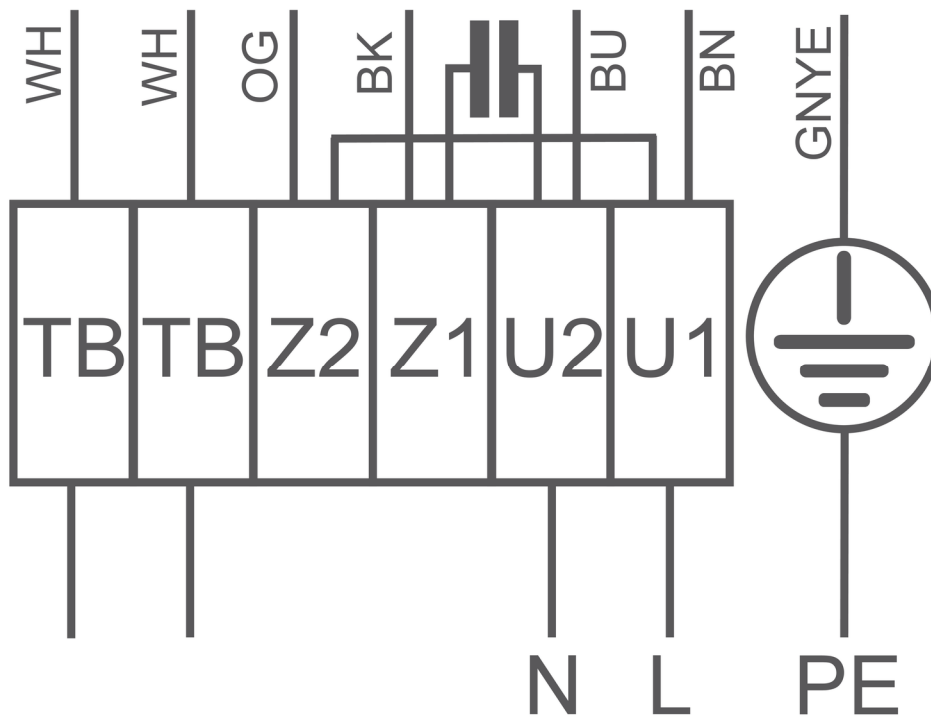
4. Connection diagram

1360-104XB

1~Motor with capacitor and thermostatic switch (if built in).

- BN brown
- BU blue
- BK black
- OG orange
- WH white
- GNYE green-yellow

Counter Clockwise rotation



5. EU-Declaration of conformity

EU declaration of conformity

- Translation -
(english)

ZA75-GB 1910 Index 015

Manufacturer:
ZIEHL-ABEGG SE
Heinz-Ziehl-Straße
74653 Künzelsau
Germany

The manufacturer is solely responsible for issuance of the declaration of conformity.

The products:

- External rotor motor MK..., MW..
- Axial fan DN..., FA..., FB..., FC..., FE..., FF..., FG..., FH..., FL..., FN..., FS..., FT..., FV..., VN..., VR..., ZC..., ZF..., ZG..., ZN..
- Centrifugal fan ER..., GR..., RA..., RD..., RE..., RF..., RG..., RH..., RK..., RM..., RR..., RZ..., WR..
- Cross-flow fan QG..., QK..., QR..., QT..

The motor type:

- Asynchronous internal or external rotor motor
- Asynchronous internal or external rotor motor with integrated frequency inverter
- Electronically commutated internal or external rotor motor
- Electronically commutated internal or external rotor motor with integrated EC controller

These products comply with the following EU directives:

- EMC Directive 2014/30/EU
- Low Voltage Directive 2014/35/EU
- ErP Directive 2009/125/EC, in conjunction with Regulation (EU) no. 327/2011

The following harmonised standards have been used:

EN 60034-1:2010 + Cor.:2010 EN 61000-6-3:2007 + A1:2011 + AC:2012
EN 60204-1:2006 + A1:2009 + AC:2010 EN 61000-6-2:2005 + AC:2005
EN 60529:1991 + A1:2000 + A2:2013

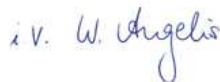
Compliance with the ErP Directive 2009/125/EC does not refer to external rotor motors MK..., MW..

All ErP-relevant information comprises measurements which are determined using a standardised measurement set-up. More details can be obtained from the manufacturer.

Compliance with the EMC Directive 2014/30/EU refers only to those products when they are connected by mounting / operating instructions. If these products are integrated into a system or supplemented with other components (e.g. sensing controls) and operated, the manufacturer or operator is responsible of the overall system for compliance with the EMC Directive 2014/30/EU.

Künzelsau, 05.03.2019
(location, date of issue)

ZIEHL-ABEGG SE
Dr. W. Angelis
Technical Director Air Movement Division
(name, function)



(Signature)

ZIEHL-ABEGG SE
Dr. D. Kappel
Deputy Head of Electrical Systems
(name, function)



(Signature)





The Royal League in ventilation, control and drive technology

Intelligent control technology for any application

**ZIEHL-ABEGG system capabilities:
Everything from a single source – perfectly matched for optimal performance**

Please contact us. We would be pleased to design an individual solution for your requirements.

We would like to welcome you on our worldwide exhibitions. Please find our next exhibitions [here](#).