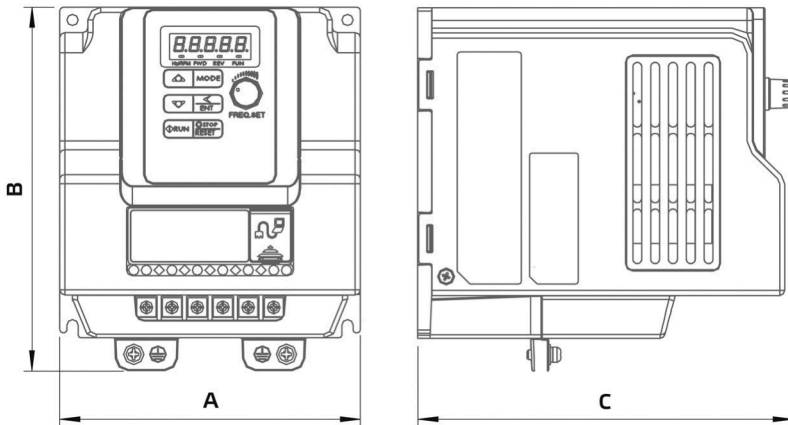


Datasheet

Product type: **Frequency converter**
 Product ID: 165485
 Product name: FU 15 68



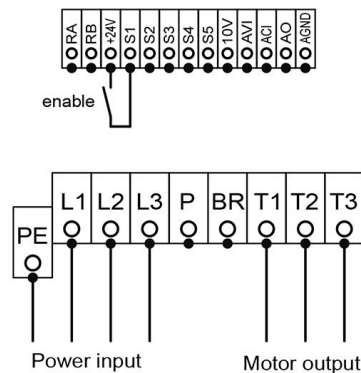
A	mm	118
B	mm	144
C	mm	150
D	mm	108
E	mm	121
Min. ambient temperature	°C	-10
Max. ambient temperature	°C	40
Max. operating current	A	3.8
Supply voltage	V	400V 3~ 50/60Hz
System protection		IP20
max. Rated operating capacity	kW	1.5
Weight	kg	1.6

- Output voltage 0 - 400 V 3~
- Stepless speed control
- Motor-/converter protection
- Integrated interference filter/class A
- Integrated Modbus or BacNet interface
- Configurable status/fault relay
- Easy start-up

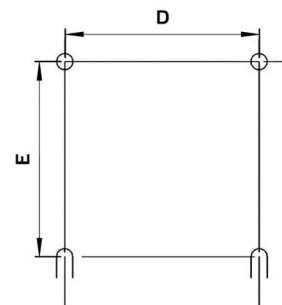
Use:

- MPC 400 D6 40
- MPC 400 D6 TC40
- MPC 400 D6 T40
- MPC 400 D6 F4 T40

Wiring diagram:



Assembly:



165485_pdsc_k10001_en_20230505