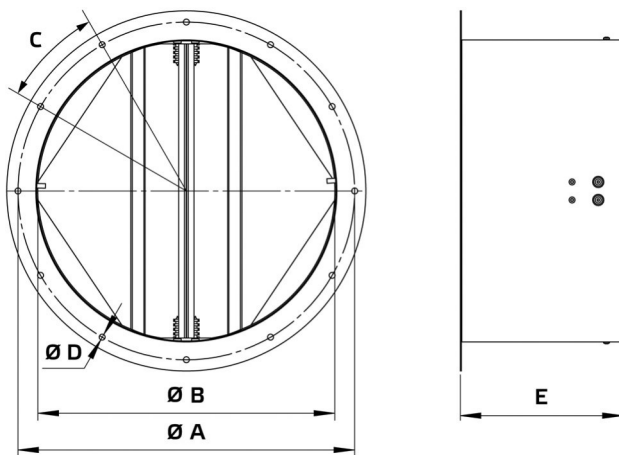


Datasheet

Product type: **Tube damper**
 Product ID: 154392
 Product name: RVK 355 F4



A	mm	395
B	mm	355
C		8 x 45°
D	mm	10
E	mm	232.7
Weight	kg	3.6

- Automatic shutter
- Vertical installation only
- Sheet steel, powder-coated
- Flange mounting
- Suitable for outdoor installation
- Temperature class according to DIN EN 12101-3 F400 (400°C/120min)
- Flaps AlMg3

Use:

- AL 355 D4 F4 01
- AL 355 D2 F4 01