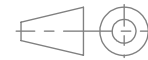
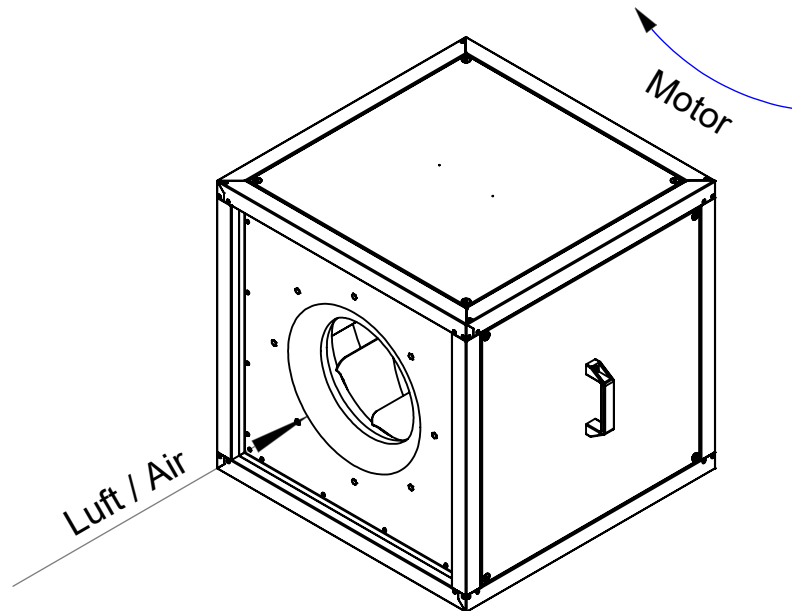


8xM8  
LK Ø450mm

Connection size inside min. Ø385mm



1:15 A4 mm

Protection Mark  
according to ISO16016

General tolerances  
DIN ISO 2768-c

Created s.pop  
Drawn s.pop  
Released s.pop  
Disabled

14.04.2022  
14.04.2022  
14.04.2022

**MPC450D4F4T40**

**162931 00**