

10. ASSEMBLY

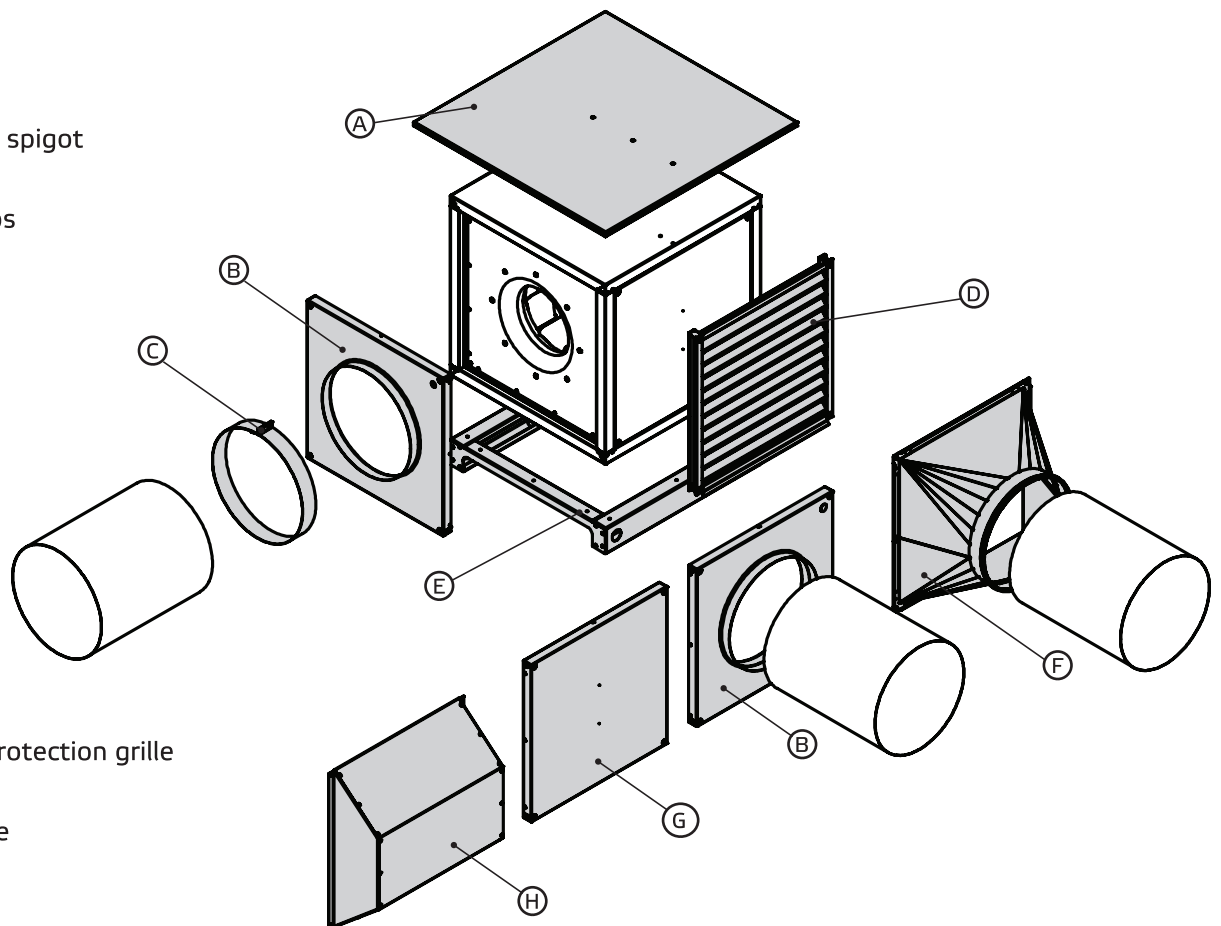
Assembly work may only be performed by specialist personnel in accordance with the installation and operating manual and the regulations and standards in force.

The following points should be noted and followed:

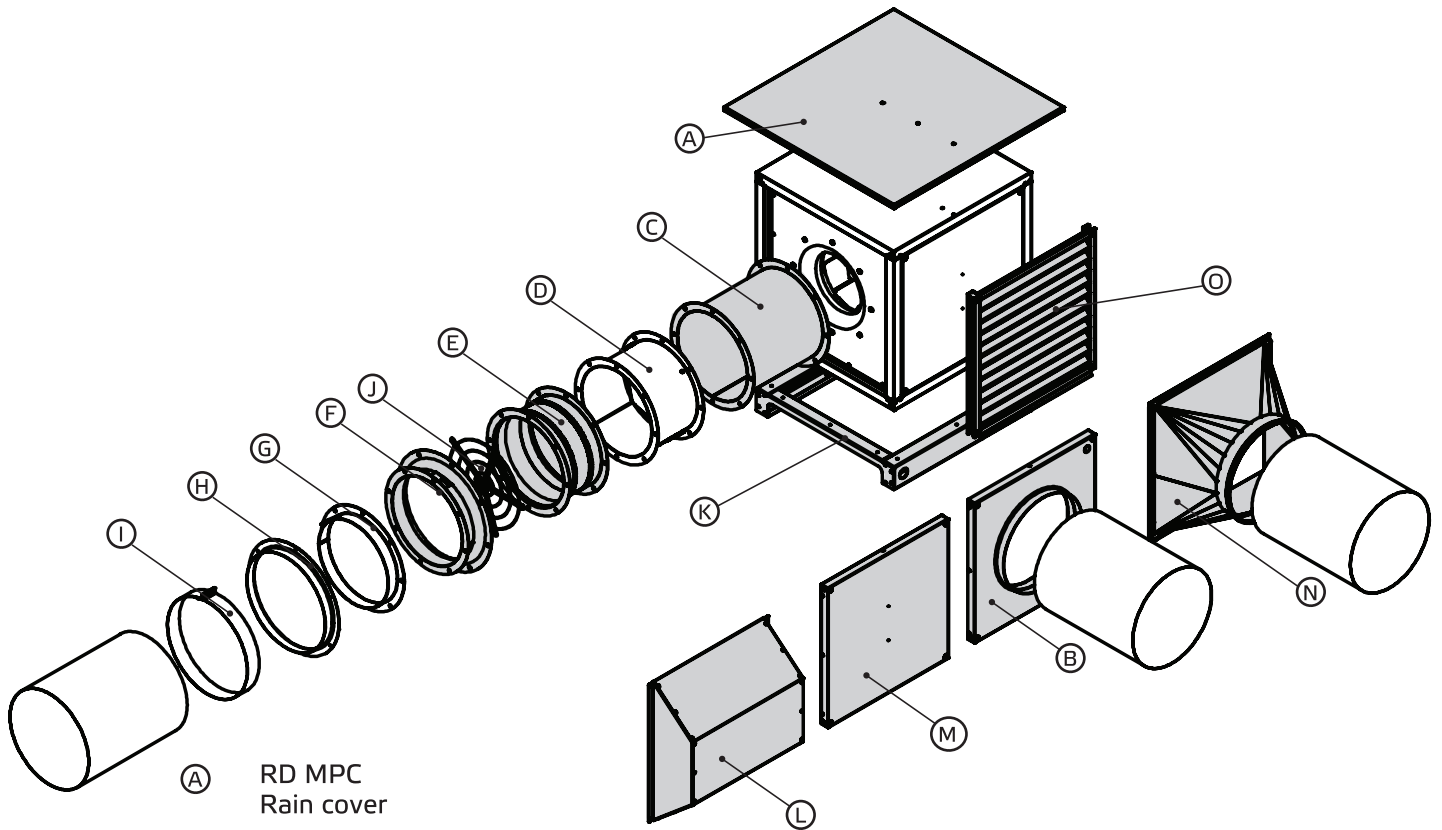
- The foundation must be even and levelled. It must not exhibit unevenness or a slope in any direction.
- Set up and align the machine with the aid of a water level. A perfect function of the device can be guaranteed only if levelled mounted.
- Only suitable installation aids, in accordance with regulations, should be used.
- The device must be installed in such a way that it is easily accessible for maintenance and cleaning purposes.
- The unit should only be installed with authorized and suitable fastening materials at all fastening points.
- Do not distort the unit when installing.
- Just use the indicated mounting and fixing places. No holes should be made in the housing or any screws screwed into it.
- The duct system must not be supported on the housing.
- For structure-borne sound decoupling, a flexible connection is recommended when connected on a duct system.
- The length of straight tube before fan must be at least 2.5 times the fan diameter

10.1. Assembly with accessories

- Ⓐ RD MPC
Rain cover
- Ⓑ USM
Panel with spigot
- Ⓒ VM
Fast clamps



- Ⓓ WSG MPC
Weather protection grille
- Ⓔ GR MPC
Base frame
- Ⓕ UQR
Transition
- Ⓖ UCP
Closed panel
- Ⓗ WSH MPC
Weather protection hood



- Ⓐ RD MPC
Rain cover
- Ⓑ USM
Panel with spigot
- Ⓒ RVS
Tube connection spigot
- Ⓓ RVK
Tube damper
- Ⓔ RAS
Round inlet spigot
- Ⓕ ESD
Inlet cone
- Ⓖ RAF
Round inlet flange
- Ⓗ AS MPC
Inlet spigot
- Ⓘ VM
Fast clamps
- Ⓙ SGE
Wire protection grille
- Ⓚ GR MPC
Base frame
- Ⓛ WSH MPC
Weather protection hood
- Ⓜ UCP
Closed panel
- Ⓝ UQR
Transition
- Ⓞ WSG MPC
Weather protection grille