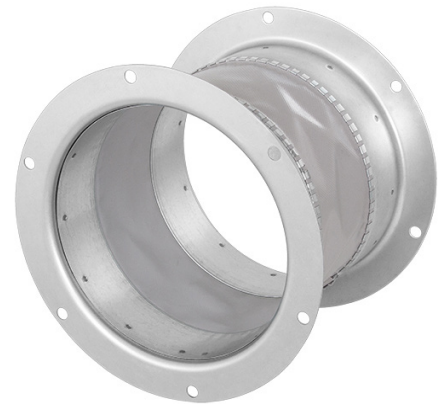
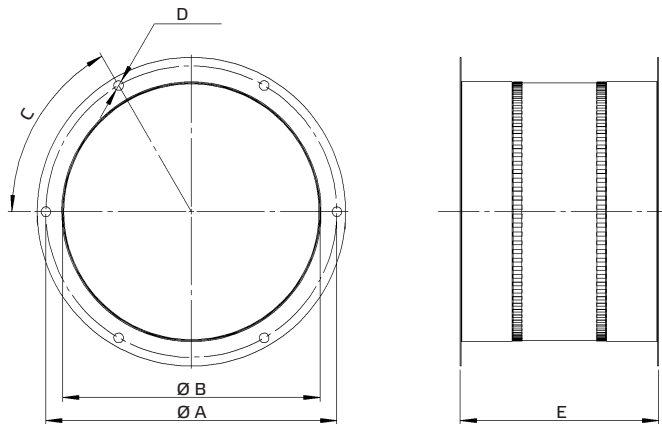


## Inlet Collar DAS...F4



Type	ID	Ø A mm	Ø B mm	C mm	D mm	F mm	Weight kg
<b>DAS 180 F4</b>	145422	217	182	6 x 60°	9,5	130 ... 195	1,0
<b>DAS 250 F4</b>	145423	286	253	6 x 60°	9,5	130 ... 195	1,3
<b>DAS 400 F4</b>	150093	438	400	6 x 60°	10	116 ... 181	3,3
<b>DAS 560 F4</b>	150095	605	560	8 x 45°	10	116 ... 181	4,6
<b>DAS 710 F4</b>	150097	674	630	8 x 45°	10	116 ... 181	5,1

- Flexible connection
- Temperature stability to 400°C
- Sheet steel, galvanized
- Silicone band

Type	ID	for Roof Fans
		DVN/DVNI ... E, D, EC, D.F4, DHN ... F4
<b>DAS 180 F4</b>	145422	225, 250
<b>DAS 250 F4</b>	145423	280, 315
<b>DAS 400 F4</b>	150093	355, 400, 450, 500
<b>DAS 560 F4</b>	150095	560, 630
<b>DAS 710 F4</b>	150097	710