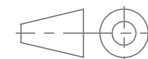
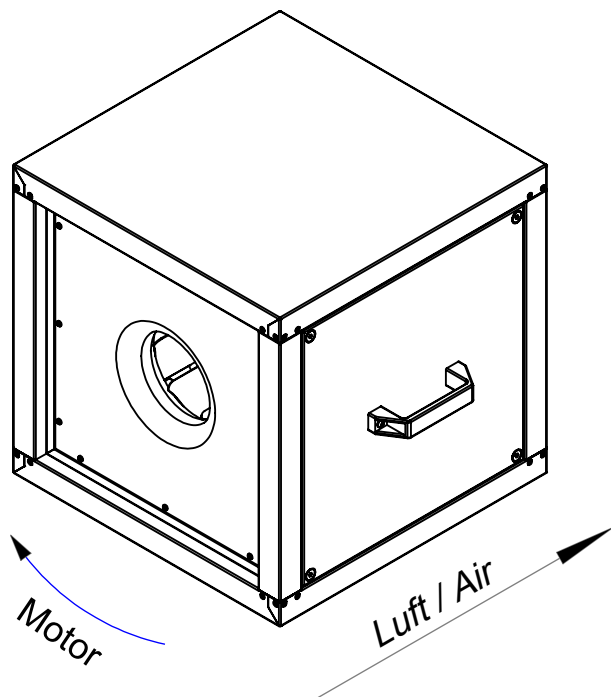
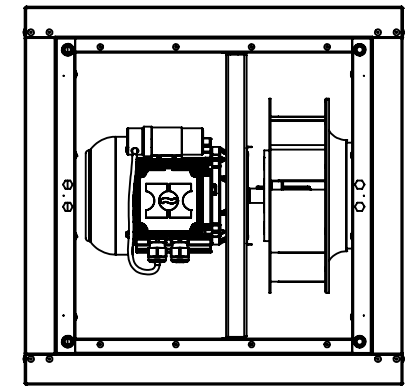


Anschlussmaß innen  
min.  $\varnothing$  195  
Connection size inside  
min.  $\varnothing$  195



Protection Mark  
according to ISO16016  
Created s.pop  
Drawn s.pop  
Released v.brand  
Disabled

1:10 A4 mm

General tolerances  
DIN ISO 2768-c

**MPC225E221+**

**137881 02**