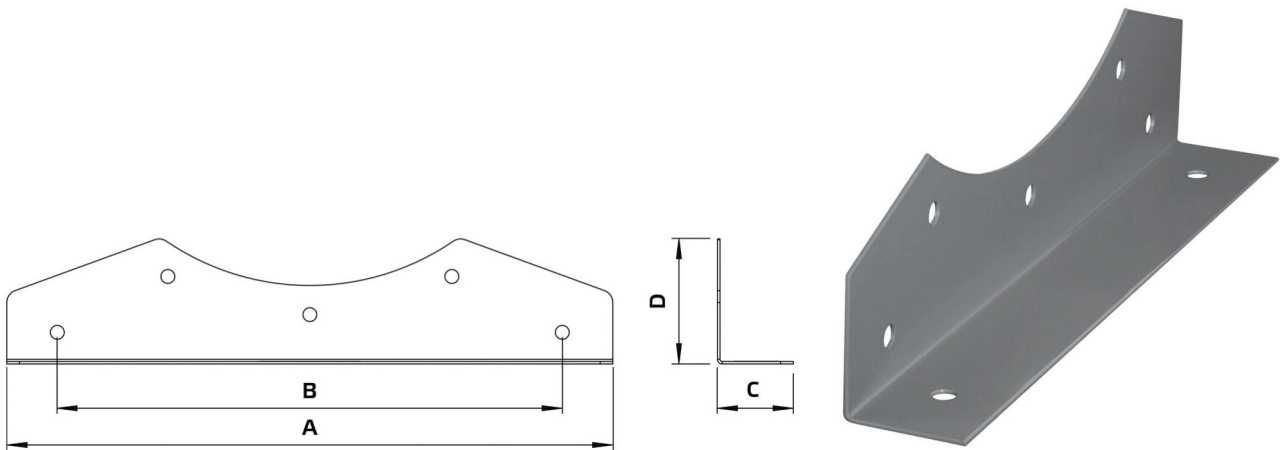


Datasheet

Product type: **Mounting foot**
 Product ID: 154812
 Product name: FAL 710



A	mm	810
B	mm	710
C	mm	70
D	mm	118.9
Weight	kg	1.9

- Mounting foot for Axialine
- Sheet steel, powder-coated
- Suitable for outdoor installation

Use:

- AL 710 D6 01
- AL 710 D4 01
- AL 710 D6 F4 01
- AL 710 D4 F4 01