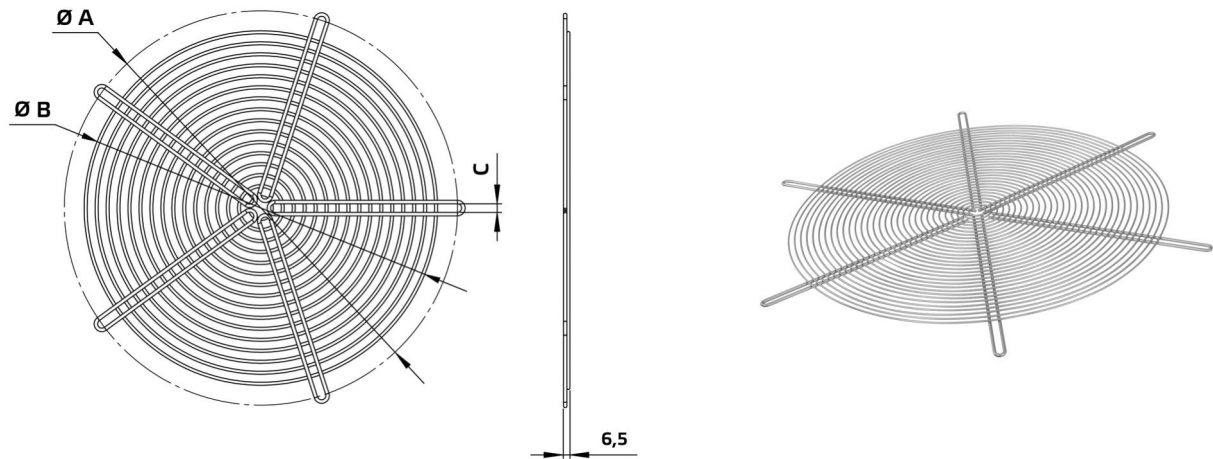


# Datasheet

Product type: **Wire protection grille**  
 Product ID: 154077  
 Product name: SGE 560



A	mm	620
B	mm	575
C	mm	12
Weight	kg	1.6

- Tight mesh
- Sheet steel, galvanized
- Flange mounting
- When using the protective grille in conjunction with the inlet nozzle, one size larger must be used for the protective grille

## Use:

- AL 560 D4 01
- AL 560 D4 02