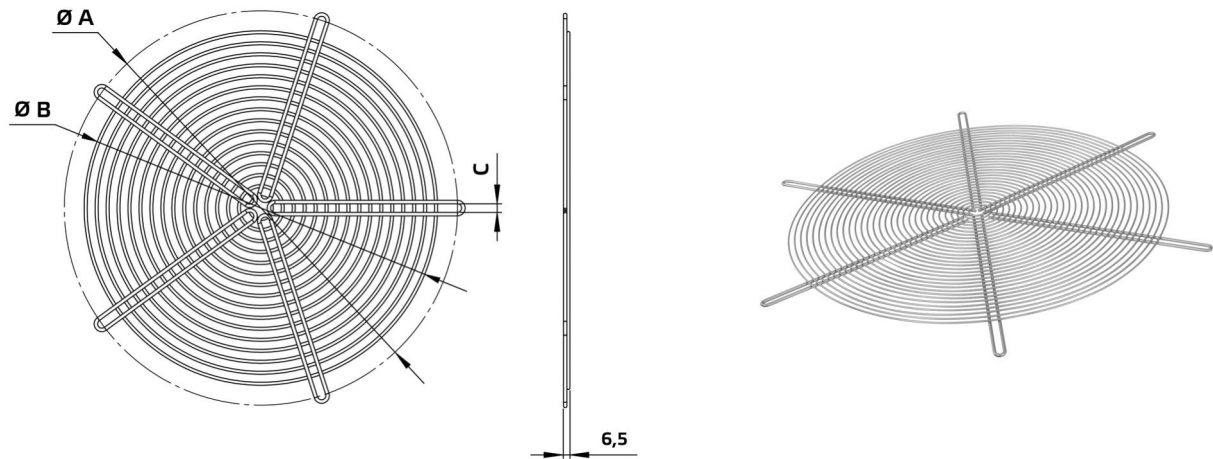


Datasheet

Product type: **Wire protection grille**
 Product ID: 154058
 Product name: SGE 315



A	mm	355
B	mm	311
C	mm	8
Weight	kg	0.5

- Tight mesh
- Sheet steel, galvanized
- Flange mounting
- When using the protective grille in conjunction with the inlet nozzle, one size larger must be used for the protective grille

Use:

- AL 315 D4 01
- AL 315 D2 01
- AL 315 EC 01