



## INDUSTRIAL AIR CIRCULATING FAN

**hydor**

### APPLICATION

Air circulating fans, for wall mounting or pedestal, suitable to generate a powerful cool and uniform airflow and improve the environmental conditions for commercial and industrial applications such as warehouses, gyms, factories, shops, workshops, etc...

### CONSTRUCTION

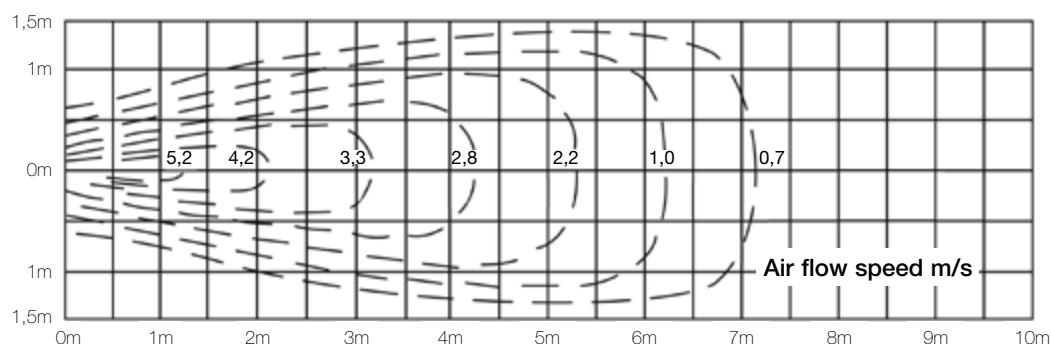
- The steel structure provides a long lasting and robust construction.
- Guards are closely meshed black painted wire with additional radial supports to increased stiffness.
- Axial fans with fixed mounting angles to guarantee the required flow.
- The fan blades are constructed from high quality aluminum, fully balanced, with epoxy powder coated black for aesthetic appearance.
- Induction motor, provided with ball bearings for long life, 3 speed selection.
- Supplied with 2m length supply cable.
- Available in the following models:
  - HPFA with iron base.
  - HWFA for wall mounting.

### FEATURES & BENEFITS

- Economic and effective solution to keep the air circulating, generating a gentle breeze for a general comfort in the environment and remove annoying insects.
- Fans are designed for smooth oscillation, through a 90°C arc. The angle of pitch for each type of unit can be adjusted to your requirements.
- Silent operation.
- Supplied with 3 speed selector so that the ventilation rate can be set according to the actual needs.
- Max operating temperature up to 45°C.
- Tested to the latest standards, meaning accurate, up to date information on electrical safety, performance and noise level that can be relied upon.
- Designed and manufactured in accordance with Machinery Directive (MD), Low Voltage Directive (LVD), Electromagnetic Compatibility Directive (EMC).

### ACCESSORIES

- Mistig kit.



# HPFA & HWFA

## Performances

Description	Rotation Speed			P el			I nom		
	rpm			kW			A		
	high	med	low	high	med	low	high	med	low
HPFA650	1380	1050	890	0,179	0,143	0,135	0,98	0,85	0,90

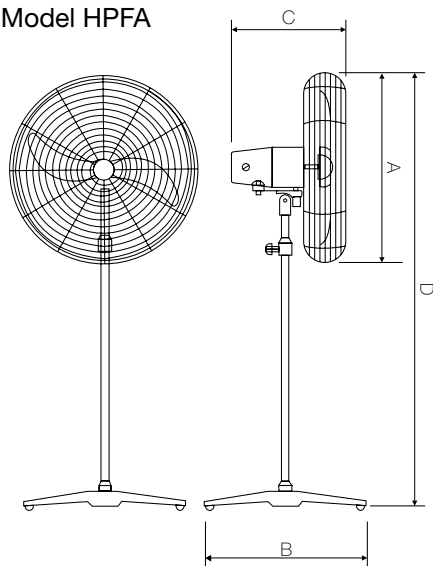
Description	Code	T max °C	Q max			Lp		
			m³/h			dB(A) @3m		
			high	med	low	high	med	low
HPFA650	PTR00023	45	13800	10200	6600	59	50	46

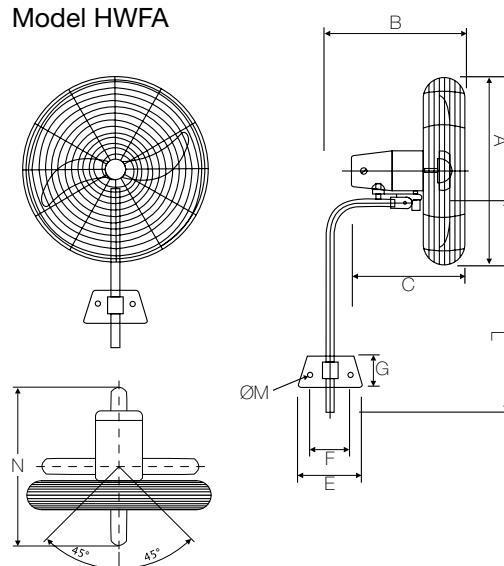
Description	Code	T max °C	Q max			Lp		
			m³/h			dB(A) @3m		
			high	med	low	high	med	low
HWFA650	PTR00025	45	13800	10200	6600	59	50	46

## Dimensions (mm) and Weight (kg)

Model HPFA



Model HWFA



Description	A	B	C	D	E	F	G	L	ØM	N	Weight
HPFA650	690	525	360	1460-1860	-	-	-	-	-	-	23
HWFA650	690	525	360	-	190	114	112	445	12,5	590	14,3

## Accessories

Description	 Misting kit
Page	238
	Description Code
HPFA650	HMK CTR00024
HWFA650	HMK CTR00024

## Misting kit



- Evaporative cooling results from the very fine water droplets changing from a liquid into a vapour state and reducing the surrounding air temperature in the process.
- Operates from a normal water supply with normal pressure: it has 5 holes which supply about 7l of water per hour.