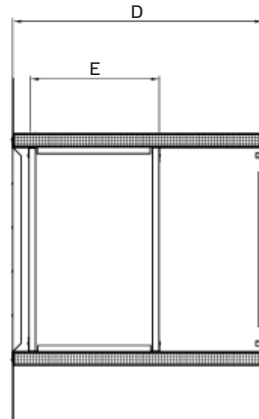
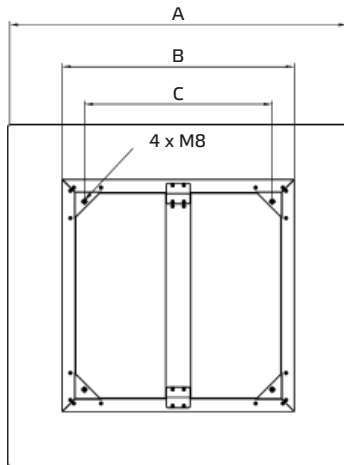


## Roof Socket Silencer DSS



Type	ID	A mm	B mm	C mm	D mm	E mm	Weight kg
<b>DSS 220-10</b>	126356	430	300	245	620	410	6,9
<b>DSS 280-10</b>	126383	526	396	330	620	381	9,0
<b>DSS 355-10</b>	126403	685	555	450	620	312	12,0
<b>DSS 450-10</b>	126461	744	614	535	620	323	13,0
<b>DSS 560-10</b>	126471	1026	896	750	620	314	19,0
<b>DSS 710-10</b>	126567	1186	985	840	1166	827	33,5

- Socket Silencer
- Sound-heat insulated
- Mineralwool insulation

### Noise insertion loss dB

Type	Average attenuation	Octave band Hz							
		125	250	500	1000	2000	4000	8000	
<b>DSS 220-10</b>	12,5	1	3	13	17	13	16	14	
<b>DSS 280-10</b>	12,8	1	2	6	14	18	17	14	
<b>DSS 355-10</b>	11,8	2	3	7	18	16	11	10	
<b>DSS 450-10</b>	11,0	2	3	6	18	14	9	9	
<b>DSS 560-10</b>	6,5	0	1	5	10	8	6	5	
<b>DSS 710-10</b>	17,2	1	8,6	14	22,6	22	16,2	14,7	



Type	ID	for Roof Fans		
		DVA/DVA..P	DVN/DVNI	DHA/DHA..P
<b>DSS 220-10</b>	126356	190, 220, 250	225, 250	190, 220, 250
<b>DSS 280-10</b>	126383	280, 315	280, 315	280, 315
<b>DSS 355-10</b>	126403	355, 400	355, 400	355, 400
<b>DSS 450-10</b>	126461	450, 500	450, 500	450, 500
<b>DSS 560-10</b>	126471	560, 630	560, 630	560, 630
<b>DSS 710-10</b>	126567	-	710	-