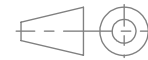
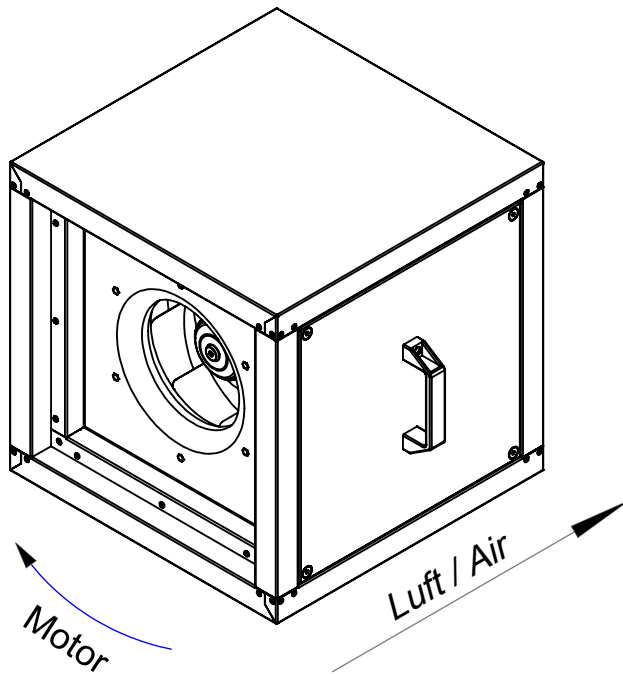
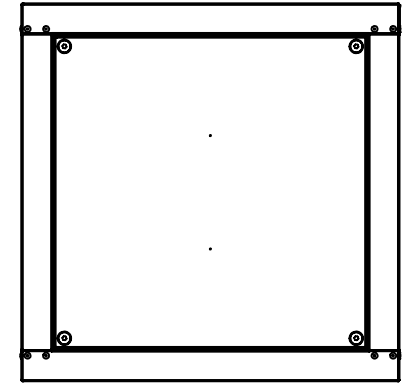


6xM6  
LK Ø 280

Anschlussmaß innen min. Ø 240  
Connection size inside min. Ø 240



Protection Mark  
according to ISO16016  
Created s.pop  
Drawn s.pop  
Released s.pop  
Disabled

1:10 A4 mm

General tolerances  
DIN ISO 2768-c  
04.05.2021  
04.05.2021  
04.05.2021

**MPC280EC40**

**157955 00**