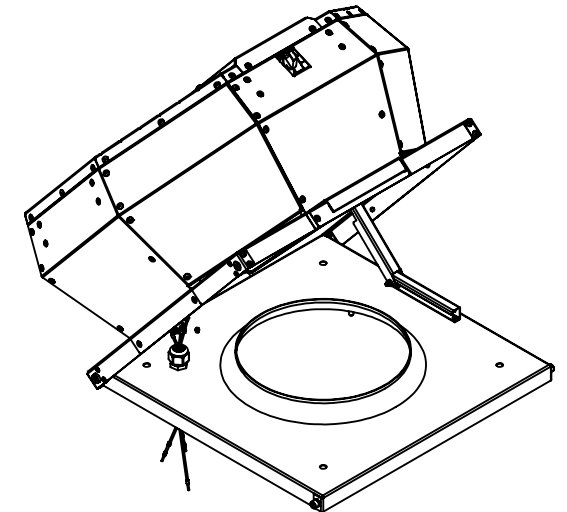
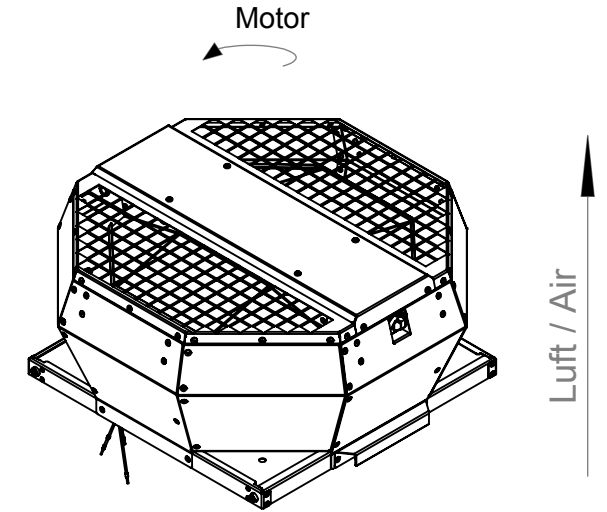
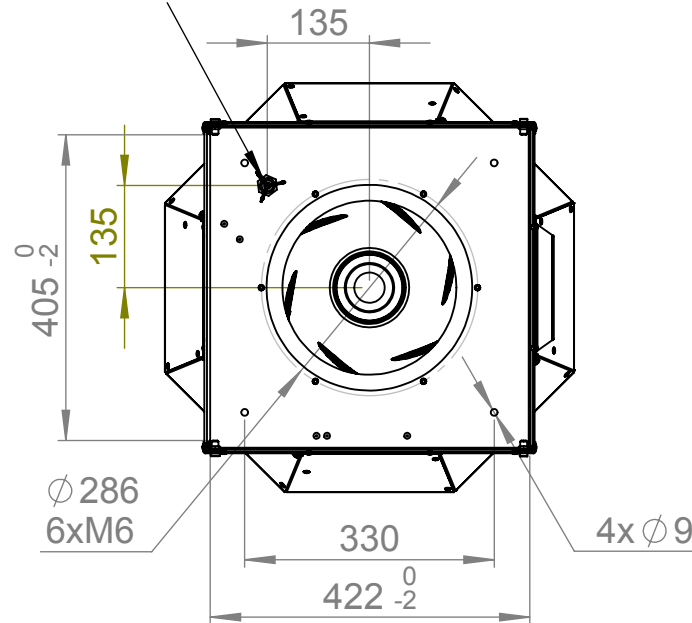


Cable outlet



Protection Mark
according to ISO 16016

Created d.hancu
Drawn d.hancu
Released
Disabled

1:10 A4 mm

General tolerances
DIN ISO 2768-c

04.12.2020
04.12.2020

DVA315E4P43

156456 00