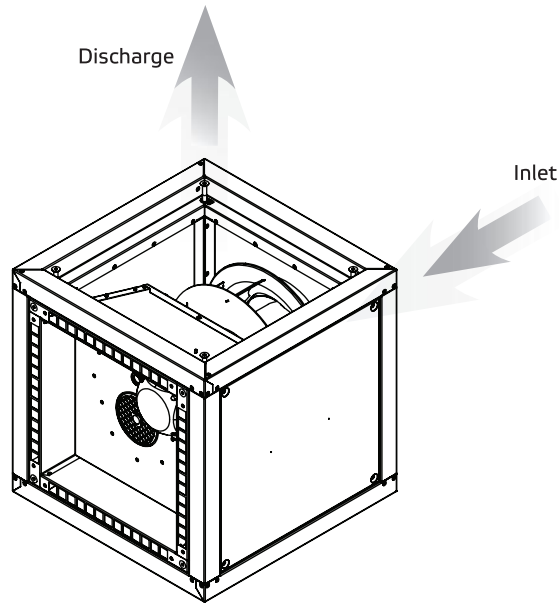
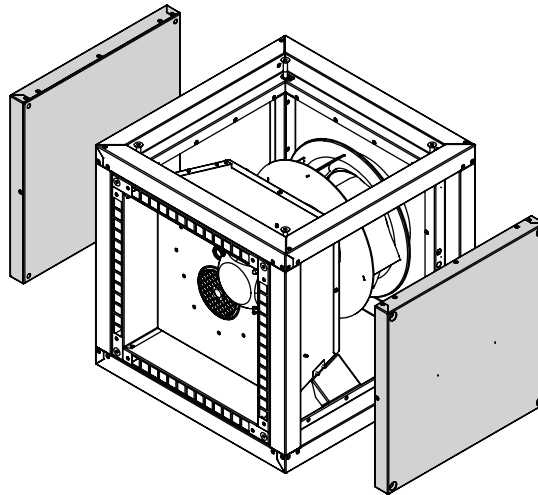


10.2. Mounting position

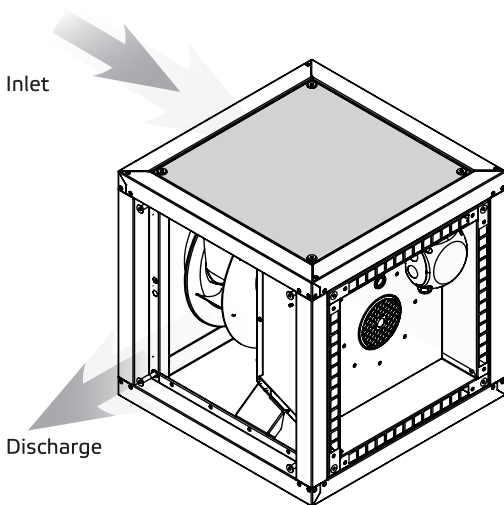
A Delivery status
Discharge up



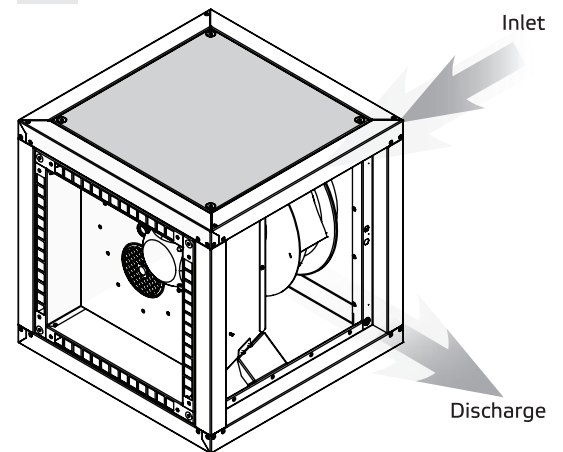
B In order to change the discharge side, the panels or a panel must be removed.



c Discharge right



D Discharge left



By closing an open side, the discharge side can be changed.