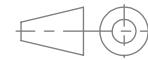
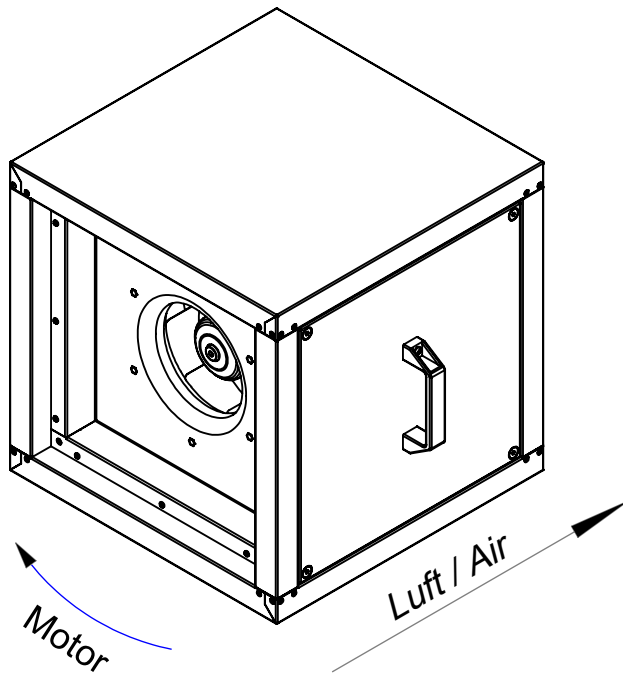


6xM6  
LK  $\phi$  250

Anschlussmaß innen min.  $\phi$  220  
Connection size inside min.  $\phi$  220



Protection Mark  
according to ISO16016  
Created s.pop  
Drawn s.pop  
Released s.pop  
Disabled

1:10 A4 mm

General tolerances  
DIN ISO 2768-c  
04.05.2021  
04.05.2021  
04.05.2021

**MPC250EC40**

**157954 00**