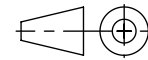
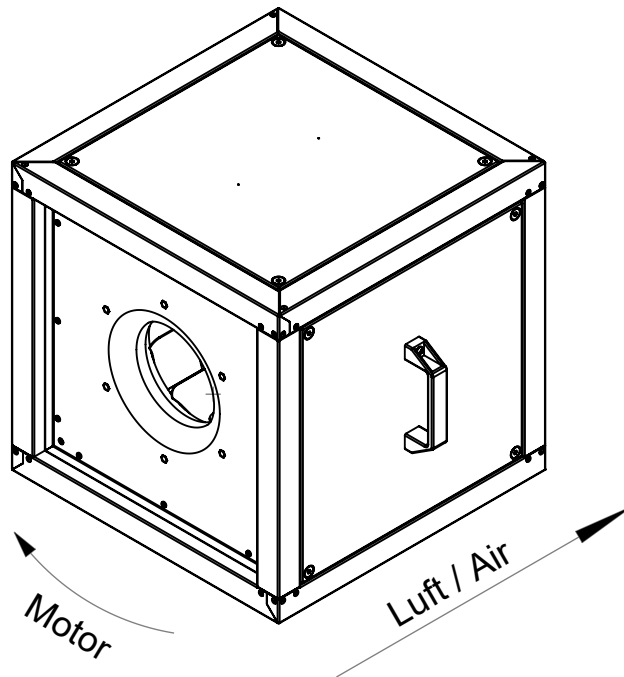
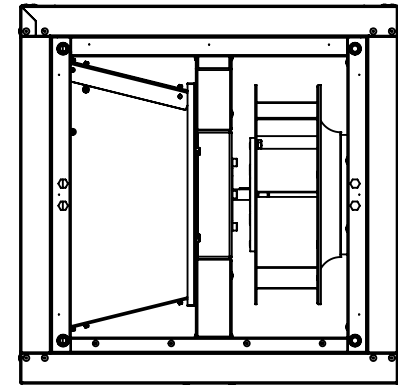


Anschlussmaß innen min. Ø220mm
Connection size inside min. Ø220



1:10 A4 mm

Protection Mark
according to ISO16016

General tolerances
DIN ISO 2768-c

MPC250D2T40

ruck^{eu}
VENTILATOREN

Created s.pop
Drawn s.pop
Released s.pop
Disabled

04.03.2021
04.03.2021
04.03.2021

157209 00

ruck Ventilatoren
Max-Planck-Str. 5
D-97944 Boxberg