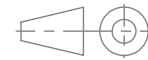
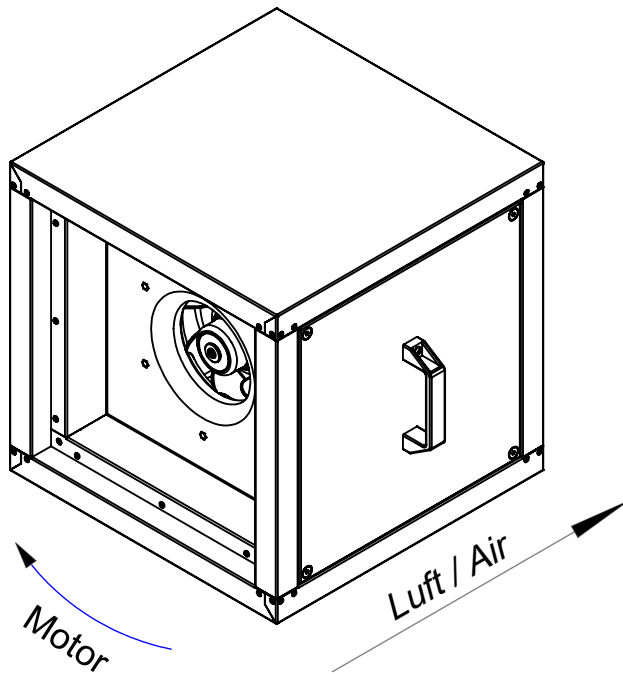


6xM6  
LK  $\varnothing 250\text{mm}$

Anschlussmaß innen min.  $\varnothing 195$   
Connection size inside min.  $\varnothing 195$



Protection Mark  
according to ISO 16016  
Created s.pop  
Drawn s.pop  
Released s.pop  
Disabled

1:10 A4 mm

General tolerances  
DIN ISO 2768-c  
13.01.2023  
13.01.2023  
13.01.2023

**MPC225ECOK01**

**166481 00**