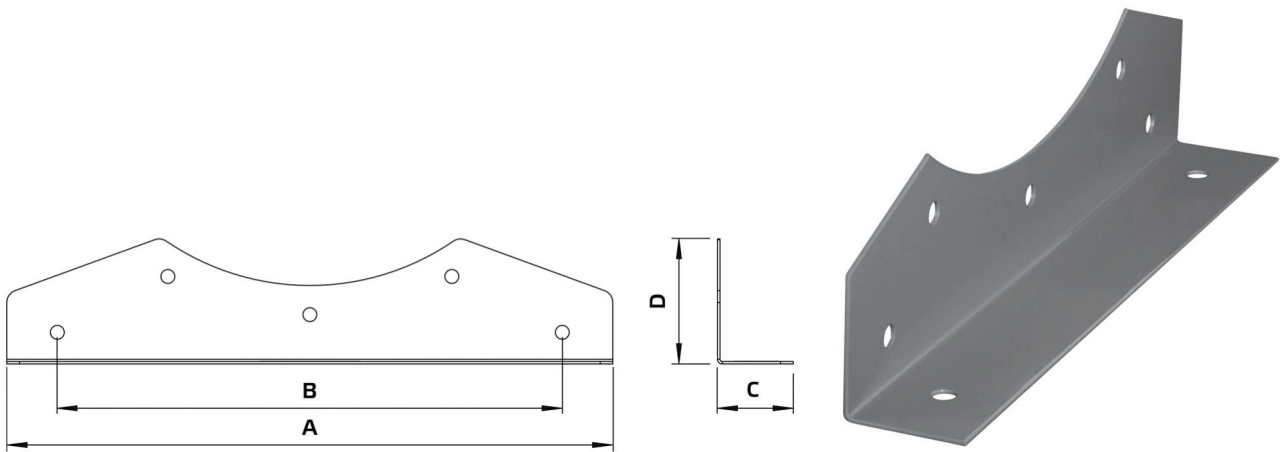


# Datasheet



Product type: **Mounting foot**  
Product ID: 154805  
Product name: FAL 315



A	mm	380
B	mm	315
C	mm	60
D	mm	98.5
Weight	kg	0.8

- Mounting foot for Axialine
- Sheet steel, powder-coated
- Suitable for outdoor installation

## Use:

- AL 315 D4 01
- AL 315 D2 01
- AL 315 EC 01
- AL 315 D4 F4 01
- AL 315 D2 F4 01

154805\_pdsc\_k10001\_en\_20220810