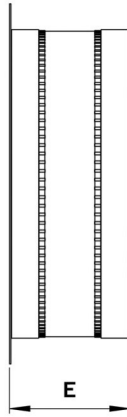
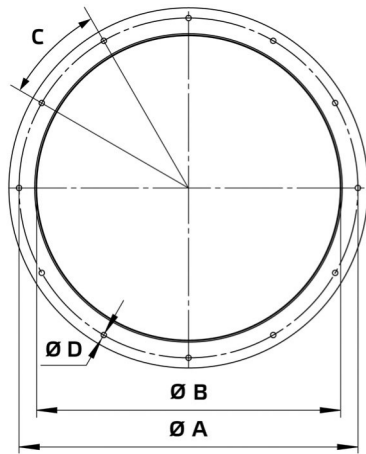


Datasheet



Product type: **Round inlet spigot**
 Product ID: 154305
 Product name: RAS 500 F4



A	mm	560
B	mm	500
C		12 x 30°
D	mm	12
E	mm	153 ... 223
Weight	kg	6

- Flexible connection
- Continuous temperature 75°C
- Sheet steel, galvanized
- Silicone band
- Temperature class according to DIN EN 12101-3 F400 (400°C/120min)

Use:

- AL 500 D4 F4 01
- AL 500 D2 F4 01