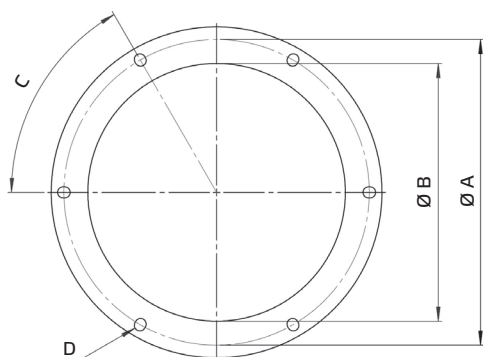


DATA SHEET

Shutter automatic DVK...10



Type	ID	Ø A mm	Ø B mm	C mm	D mm	E mm	Weight kg
DVK 180 10	153000	213	182	6 x 60°	6 x Ø 9,5	120	1,2
DVK 250 10	152997	286	253	6 x 60°	6 x Ø 9,5	162	2,0
DVK 400 10	152897	438	400	6 x 60°	6 x Ø 10	271	7,1
DVK 560 10	152898	605	560	8 x 45°	8 x Ø 10	271	10,5
DVK 630 10	152899	674	630	8 x 45°	8 x Ø 10	271	11,4

- Automatic shutter
- Sheet steel, galvanized

Type	ID	for Roof Fans		
		DVA/DVA..P	DVN/DVNI...E,D,EC	DHA/DHA..P
DVK 180 10	153000	190, 220, 250	225, 250	190, 220, 250
DVK 250 10	152997	280, 315	280, 315	280, 315
DVK 400 10	152897	355, 400, 450, 500	355, 400, 450, 500	355, 400, 450, 500
DVK 560 10	152898	560, 630	560, 630	560, 630
DVK 630 10	152899		710	

Pressure loss curve (density 1,2 kg/m³)

