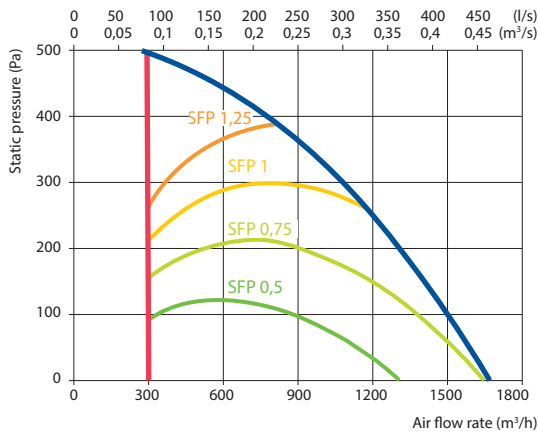


# Verso R 1500 F C5

Nominal air flow according to ErP 2018, m <sup>3</sup> /h	1500
Nominal air flow according to ErP 2018, l/s	417
Electric air heater capacity, kW / Δt, °C	6/11,7
Supply voltage HE, V	3~400
Maximal operating current HE, A	12,1
Power supply cable E, mm <sup>2</sup>	5×2,5
Electric power input of the fan drive at maximum flow rate, W	350
Noise power level, L <sub>WA</sub> , dB(A)	53
Noise pressure level, L <sub>PA</sub> , dB(A), (3 m)	41
Filters dimensions B×H×L, mm	472×402×96
Unit dimensions B×H×L, mm	1050×485×1807
Panel thickness, mm	50
Maintenance space, mm	660
Unit weight, kg	195



## Performance



## Temperature efficiency

Outside temperature, °C	Winter					Summer		
	-23	-15	-10	-5	0	25	30	35
After heat exchanger, °C	13,2	14,8	15,7	16,7	17,7	22,6	23,6	24,6

Indoor +22 °C, 20 % RH

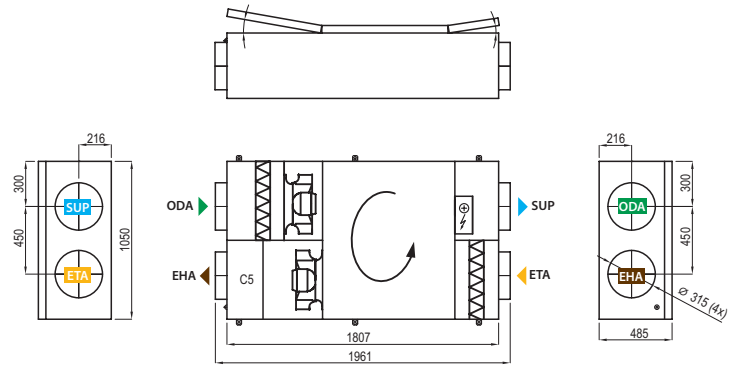
## Hot water duct air heater \*

Water temperature in/out, °C	Winter		
	80/60	70/50	60/40
Capacity, kW	4,9	4,9	4,9
Flow rate, dm <sup>3</sup> /h	213	212	211
Pressure drop, kPa	10,9	8,9	9
Temperature in/out, °C	12,3 / 22,0		
Maximal capacity, kW	13,8	11,3	8,7
Connection, "	½		

\* Option

## Shown as right (R1)

View from inspection side



## Shown as left (L1)



▶ ODA – outdoor intake    ▶ SUP – supply air    ▶ ETA – extract indoor    ▶ EHA – exhaust air

## Accessories

Closing damper	AGUJ-M-315+LF24/LM24	
Silencer	ODA/EHA	AGS-315-100-900-M
	SUP/ETA	AGS-315-100-1200-M
Water heater	DH-315	
Water cooler	DCW-1,4-9	
PPU	PPU-HW-3R-15-1,6-W2	
Outdoor grill	LD-315	
2-way valve	VVP47.20-4,0+SSF161.05HF	
DX cooler	DCF-1,4-10	
Cooling unit	MOU 36HFN8+KA8243	